

Simmerring BA.../SL to DIN 3760 A/AS

Simmerring BAUX2, BAUSLX2, BAFUDX7, BAFUDSLX7, BA, BASL, BAU, BAUSL

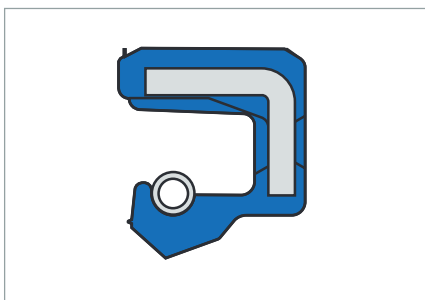


Fig. 1 Simmerring BA...SL NBR



Fig. 2 Simmerring BA...SL NBR

Product advantages

- N Broad range of applications in every sector of industry
- N Reliable sealing of the housing bore, even with increased roughness of the bore, thermal expansion and split housings, thus a sealing of low viscosity and gaseous media also possible

- N Additional dust lip as additional seal against moderate and medium dust and dirt ingress from outside (BA...SL). (Note: can lead to temperature increase from frictional heat).

Application

- N Industrial gearboxes
- N Axles (when subject to moderate dirt)
- N Power tools.

Material

Acrylonitrile-butadiene rubber

Code	72 NBR902
Colour	Blue
Hardness	72 Shore A
Metal insert	Unalloyed steel DIN 1624
Spring	Spring steel DIN 17223

Product description

- N Outer casing: elastomer (smooth or grooved = X7)
- N Spring-loaded sealing lip
- N Additional dust lip (BA...SL)
- N Sealing lip profile, sealing lip machined on the front face (BAUX2, BAUSLX2 = preferred type)
- N Sealing lip profile, finished sealing lip (BAFUDX7/BAFUDSLX7).

Operating conditions

Media	Mineral oils, synthetic oils* , greases
T	-40 ...+100 °C short term up to...+120 °C
v	<p>Permissible circumferential speed for Simmerrings made from the materials NBR (72 NBR902) and FKM (75 FKM 585) for the sealing of motor oil SAE20. Use Simmerring@with SL (dust lip): v = max. 8 m/ s.</p>
p	<p>up to 0,05 MPa/ 0,5 bar for >0,05 MPa/ 0,5 bar, a Simmerring with back-up ring can be used o Technical handbook.</p> <p>up to 0,02 MPa/ 0,2 bar (BAFUDX7/ BAFUDSLX7)</p>

* With synthetic oils (polyalkylene glycols/ polyalpaolefins, o Technical Manual synthetic lubricants) it is to be noted that the maximum operating temperature of 80 °C must not be exceeded.

Max. permissible values depend on the other operating conditions.

Fitting & installation

Shaft

Tolerance	ISO h 11
Runout	IT8
Roughness	$R_a = 0,2 \dots 0,8 \mu\text{m}$
	$R_z = 1,0 \dots 5,0 \mu\text{m}$
	$R_{\text{max}} = <6,3 \mu\text{m}$
Hardness	45 ...60 HRC
Finish	No lead; preferably plunge ground

Housing bore

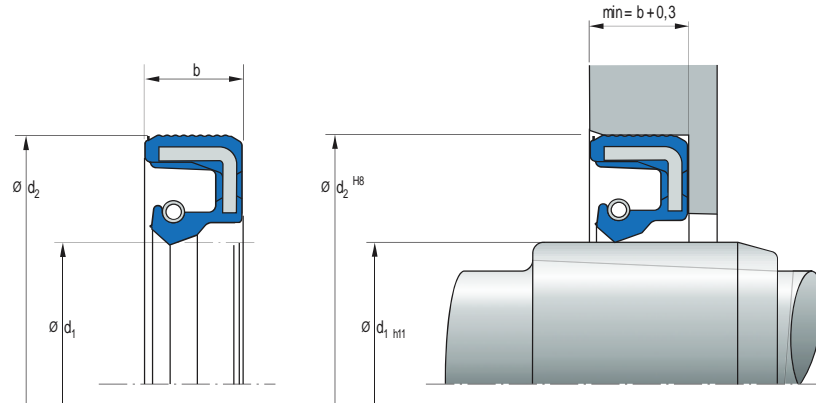
Tolerance	ISO H8
Roughness rubber OD covering	$R_z = 10 \dots 25 \mu\text{m}$

Careful fitting according to DIN 3760 is a prerequisite for the correct function of the seal o Technical Manual.

Range of dimensions for shafts- □ d₁

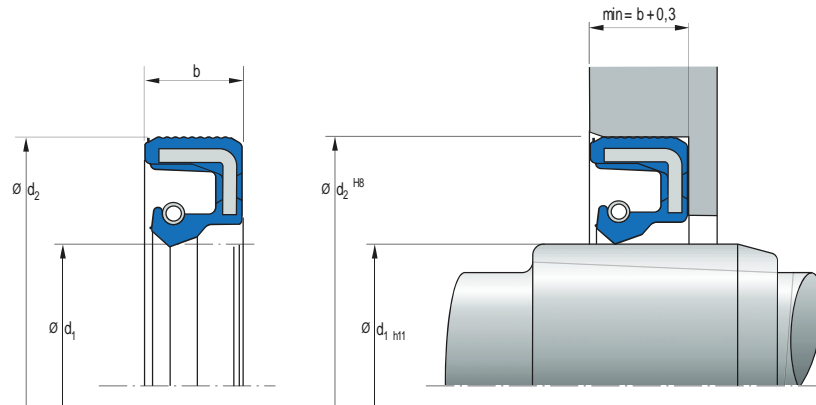
Simmerring BA...	4 ...600 mm
Simmerring BA...SL	8 ...300 mm

Article list



d_1	d_2	b	DIN 3761	Outer surface	Pressure	Material	Type	Article No.	
4	12	6	A	smooth	0,05	72 NBR902	BA	6325	B
4	16	7	A	smooth	0,05	72 NBR902	BA	1931	B
5	15	6	A	smooth	0,02	72 NBR902	BAFUD	405057	B
5	19	5	A	smooth	0,05	72 NBR902	BA	32513	B
5	22	8	A	smooth	0,05	72 NBR902	BA	6335	B
6	16	5	A	smooth	0,05	72 NBR902	BA	12019071	B
6	16	7	A	smooth	0,05	72 NBR902	BA	6341	B
6	19	6	A	smooth	0,05	72 NBR902	BAU	6344	B
6	22	7	A	grooved	0,02	72 NBR902	BAFUDX7	6352	B
6	22	7	A	grooved	0,02	72 NBR902	BAFUDX7	527276	D
6	22	7	AS	smooth	0,02	72 NBR902	BAFUDSL	12011104	B
7	16	7	A	smooth	0,05	72 NBR902	BA	6365	B
7	22	6	A	smooth	0,05	72 NBR902	BA	6372	B
7	22	7	A	smooth	0,05	72 NBR902	BA	6374	B
8	16	7	A	smooth	0,05	72 NBR902	BA	7566	B
8	16	7	AS	smooth	0,05	72 NBR902	BASL	409737	B
8	18	5	A	smooth	0,05	72 NBR902	BA	6397	B
8	20	8	A	smooth	0,05	72 NBR902	BA	6403	B
8	22	6	A	smooth	0,05	72 NBR902	BAU	6405	B
8	22	7	A	smooth	0,05	72 NBR902	BA	6412	B
8	22	8	A	smooth	0,05	72 NBR902	BA	6418	B
8	24	7	A	smooth	0,05	72 NBR902	BA	6421	B
9	18	6	A	smooth	0,05	72 NBR902	BA	6431	B
9	22	7	A	smooth	0,05	72 NBR902	BA	6438	B
9	24	7	A	smooth	0,05	72 NBR902	BAU	6443	B
9	26	7	A	smooth	0,05	72 NBR902	BA	6445	B
9,5	25,4	8	A	smooth	0,05	72 NBR902	BAU	6454	B
10	16	4	A	smooth	0,02	72 NBR902	BAFUD	12000016	B
10	18	4	A	smooth	0,02	72 NBR902	BAFUD	12000017	B
10	18	6	A	smooth	0,02	72 NBR902	BAFUD	470999	B
10	19	7	AS	smooth	0,05	72 NBR902	BASL	6463	B
10	19	7	A	smooth	0,02	72 NBR902	BAFUD	471001	B
10	20	6	A	smooth	0,05	72 NBR902	BA	6467	B
10	22	7	A	grooved	0,02	72 NBR902	BAFUDX7	362172	B
10	22	8	A	smooth	0,05	72 NBR902	BA	6485	B

B Available from stock D On request: Tool is available, delivery at short notice

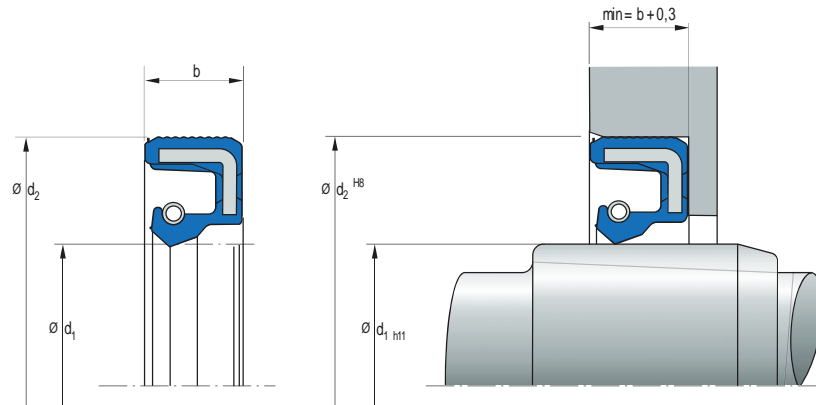


d_1	d_2	b	DIN 3761	Outer surface	Pressure	Material	Type	Article No.	
10	22	8	AS	smooth	0,05	72 NBR902	BASL	6486	B
10	24	7	A	smooth	0,05	72 NBR902	BA	6492	B
10	26	7	AS	smooth	0,05	72 NBR902	BASL	3360	B
10	26	7	A	smooth	0,05	72 NBR902	BA	6501	B
10	28	7	A	smooth	0,05	72 NBR902	BAU	6504	B
10	30	10	A	smooth	0,05	72 NBR902	BA	6511	B
11	17	4	A	smooth	0,02	72 NBR902	BAFUD	12010767	B
11	22	7	A	smooth	0,05	72 NBR902	BA	6518	B
11	26	7	A	smooth	0,05	72 NBR902	BA	6528	B
12	19	5	A	smooth	0,05	72 NBR902	BA	6550	B
12	20	7	A	smooth	0,02	72 NBR902	BAFUD	12010771	B
12	22	4	A	grooved	0,02	72 NBR902	BAFUDX7	436286	B
12	22	6,5	A	smooth	0,05	72 NBR902	BA	6555	B
12	22	7	A	smooth	0,05	72 NBR902	BAU	6564	B
12	24	6,5	A	smooth	0,05	72 NBR902	BA	6572	B
12	24	7	A	smooth	0,05	72 NBR902	BA	6575	B
12	25	5	A	smooth	0,05	72 NBR902	BAUX2	6582	B
12	25	6	A	smooth	0,05	72 NBR902	BAU	49016141	B
12	25	8	A	smooth	0,05	72 NBR902	BAU	6590	B
12	26	8	A	smooth	0,05	72 NBR902	BAU	6598	B
12	28	5	AS	smooth	0,05	72 NBR902	BAUSLX2	526251	B
12	28	7	AS	smooth	0,02	72 NBR902	BAFUDSL	12011106	B
12	28	7	A	smooth	0,05	72 NBR902	BAUX2	49004096	B
12	30	7	A	smooth	0,05	72 NBR902	BA	2669	B
12	30	10	A	smooth	0,05	72 NBR902	BA	6620	B
12	30	12	A	smooth	0,05	72 NBR902	BA	6629	B
12	32	7	A	smooth	0,05	72 NBR902	BAUX2	49004095	B
12	32	10	A	smooth	0,05	72 NBR902	BA	6633	B
12	35	10	A	smooth	0,05	72 NBR902	BAU	6635	B
12,7	22	6	A	smooth	0,05	72 NBR902	BAU	6637	B
13	22	4	A	smooth	0,02	72 NBR902	BAFUD	12010781	B
13	23	6	A	smooth	0,05	72 NBR902	BA	6656	B
13	25	5	A	smooth	0,05	72 NBR902	BA	6658	B
13	26	7	A	smooth	0,05	72 NBR902	BAU	6663	B
13	28	7	AS	smooth	0,05	72 NBR902	BASL	3367	B
13	30	8	A	smooth	0,05	72 NBR902	BA	6671	B

B Available from stock D On request: Tool is available, delivery at short notice

d ₁	d ₂	b	DIN 3761	Outer surface	Pressure	Material	Type	Article No.	
14	22	4	A	smooth	0,05	72 NBR902	BA	33554	B
14	23	7	A	smooth	0,05	72 NBR902	BAU	6683	B
14	24	7	AS	smooth	0,05	72 NBR902	BAUSLX2	86818	D
14	24	7	A	smooth	0,05	72 NBR902	BA	531005	B
14	24	7	A	smooth	0,05	72 NBR902	BA	12010784	D
14	25	5	A	smooth	0,05	72 NBR902	BA	6694	B
14	26	7	A	smooth	0,05	72 NBR902	BA	6700	B
14	28	7	A	grooved	0,02	72 NBR902	BAFUDX7	355486	B
14	28	7	AS	smooth	0,02	72 NBR902	BAFUDSL	12011750	B
14	30	7	A	smooth	0,05	72 NBR902	BAU	6713	B
14	30	10	A	smooth	0,05	72 NBR902	BAU	6717	B
14	30	10	AS	smooth	0,05	72 NBR902	BASL	38284	B
14	32	10	A	smooth	0,05	72 NBR902	BA	6723	B
14	35	7	A	smooth	0,05	72 NBR902	BA	31450	B
14	35	10	A	smooth	0,05	72 NBR902	BA	6726	B
15	24	5	A	smooth	0,02	72 NBR902	BAFUD	12010789	B
15	24	6	AS	smooth	0,02	72 NBR902	BAFUDSL	12011107	B
15	24	7	A	smooth	0,05	72 NBR902	BA	6736	B
15	24	7	AS	smooth	0,02	72 NBR902	BAFUDSL	12000444	B
15	25	5	A	smooth	0,05	72 NBR902	BA	532053	B
15	25	6	A	smooth	0,05	72 NBR902	BAUSL	49016152	B
15	26	7	A	smooth	0,05	72 NBR902	BA	6747	D
15	26	7	A	smooth	0,05	72 NBR902	BAUSL	6749	B
15	26	7	A	smooth	0,05	72 NBR902	BA	12010791	D
15	26	7	A	smooth	0,05	72 NBR902	BAUX2	49028520	B
15	28	9	A	smooth	0,05	72 NBR902	BA	6753	B
15	30	4,5	A	smooth	0,02	72 NBR902	BAFUD	12010793	B
15	30	7	A	smooth	0,05	72 NBR902	BAUX2	478442	B
15	30	7	AS	smooth	0,02	72 NBR902	BAFUDSL	12011109	B
15	30	8	AS	smooth	0,05	72 NBR902	BASL	6764	B
15	30	10	A	smooth	0,05	72 NBR902	BAU	7592	B
15	32	7	A	smooth	0,02	72 NBR902	BAFUD	49001626	B
15	32	10	A	smooth	0,05	72 NBR902	BAU	6780	B
15	35	7	A	smooth	0,05	72 NBR902	BAU	6784	B
15	35	7	A	grooved	0,02	72 NBR902	BAFUDX7	355422	B
15	35	7	AS	smooth	0,05	72 NBR902	BAUSLX2	49016894	B
15	35	7	A	smooth	0,05	72 NBR902	BAUX2	49032758	B
15	35	8	A	smooth	0,05	72 NBR902	BA	7595	B
15	35	10	A	smooth	0,05	72 NBR902	BA	6795	B
15	35	10	AS	smooth	0,05	72 NBR902	BASL	6796	B
15	37	10	A	smooth	0,05	72 NBR902	BAU	459238	D
15	40	7	A	smooth	0,05	72 NBR902	BAUX2	522178	B
15	40	10	A	smooth	0,05	72 NBR902	BA	6802	B
15	42	7	A	grooved	0,05	72 NBR902	BAUX27	451922	B
15	42	10	A	smooth	0,05	72 NBR902	BAU	6805	B
16	24	4	A	smooth	0,02	72 NBR902	BAFUD	12010799	B
16	24	5	A	smooth	0,02	72 NBR902	BAFUD	12010800	B
16	24	7	A	smooth	0,02	72 NBR902	BAFUD	12010801	B
16	26	7	A	smooth	0,05	72 NBR902	BA	33708	B
16	26	7	A	smooth	0,05	72 NBR902	BA	49002635	D

B Available from stock D On request: Tool is available, delivery at short notice

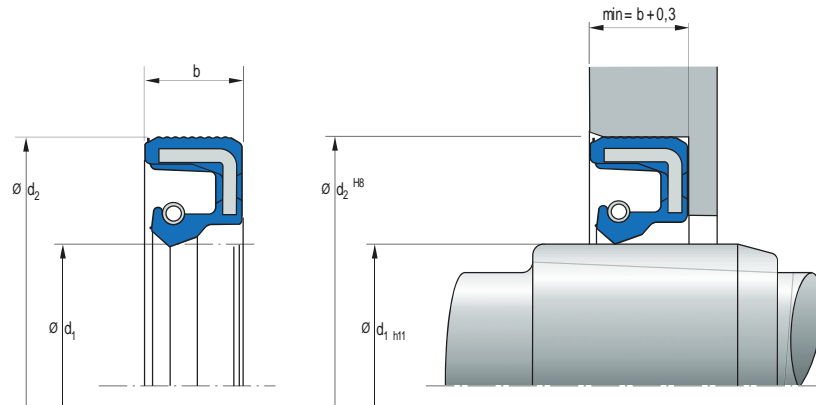


d_1	d_2	b	DIN 3761	Outer surface	Pressure	Material	Type	Article No.	
16	28	7	AS	grooved	0,02	72 NBR902	BAFUDSLX7	335565	B
16	28	7	A	smooth	0,02	72 NBR902	BAFUD	49001630	B
16	28	7	AS	smooth	0,05	72 NBR902	BAUSLX2	49013602	B
16	30	7	A	smooth	0,05	72 NBR902	BAU	6829	B
16	30	10	A	smooth	0,05	72 NBR902	BAU	6839	B
16	32	7	A	smooth	0,05	72 NBR902	BA	13972	D
16	32	7	A	smooth	0,05	72 NBR902	BAUX2	525282	B
16	32	10	A	smooth	0,05	72 NBR902	BAU	6845	B
16	35	7	A	smooth	0,05	72 NBR902	BA	2746	B
16	35	9	AS	smooth	0,05	72 NBR902	BASL	6847	D
16	35	10	A	smooth	0,05	72 NBR902	BA	6851	B
16	40	10	A	smooth	0,05	72 NBR902	BAU	6857	B
16	47	7	A	grooved	0,05	72 NBR902	BAUX27	451923	B
17	25	4	A	smooth	0,02	72 NBR902	BAFUD	12010806	B
17	26	6	A	smooth	0,05	72 NBR902	BA	7616	B
17	28	6	A	smooth	0,02	72 NBR902	BAFUD	532597	B
17	28	7	A	smooth	0,05	72 NBR902	BA	6870	D
17	28	7	AS	smooth	0,05	72 NBR902	BAUSLX2	49001668	B
17	28	7	A	smooth	0,05	72 NBR902	BAUX2	49023151	B
17	30	7	AS	smooth	0,05	72 NBR902	BASL	6878	B
17	30	7	AS	smooth	0,05	72 NBR902	BASL	384327	D
17	30	7	A	smooth	0,05	72 NBR902	BAUX2	507567	B
17	32	7	AS	smooth	0,05	72 NBR902	BASL	2184	B
17	32	7	A	grooved	0,02	72 NBR902	BAFUDX7	355628	B
17	32	10	A	smooth	0,05	72 NBR902	BA	6884	B
17	33	9	AS	smooth	0,05	72 NBR902	BASL	31254	B
17	35	7	A	smooth	0,05	72 NBR902	BAUX2	478759	B
17	35	7	AS	smooth	0,05	72 NBR902	BAUSLX2	524144	B
17	35	8	A	smooth	0,05	72 NBR902	BAU	6893	D
17	35	10	AS	smooth	0,05	72 NBR902	BASL	6898	B
17	35	10	A	smooth	0,05	72 NBR902	BA	6899	B
17	37	7	A	smooth	0,05	72 NBR902	BA	6904	B
17	37	7	AS	smooth	0,05	72 NBR902	BASL	392791	B
17	40	7	A	smooth	0,05	72 NBR902	BAUX2	478443	B
17	40	7	AS	smooth	0,05	72 NBR902	BAUSLX2	524509	B
17	40	8,5	A	smooth	0,02	72 NBR902	BAFUD	12010814	B

B Available from stock D On request: Tool is available, delivery at short notice

d ₁	d ₂	b	DIN 3761	Outer surface	Pressure	Material	Type	Article No.	
17	40	10	A	smooth	0,05	72 NBR902	BAU	7653	B
17	47	7	A	grooved	0,02	72 NBR902	BAUX7	356743	B
17	47	10	A	smooth	0,05	72 NBR902	BAU	6924	B
17,5	28	6	A	smooth	0,02	72 NBR902	BAFUD	12000066	B
18	28	7	A	smooth	0,05	72 NBR902	BA	128888	D
18	28	7	A	grooved	0,02	72 NBR902	BAFUDX7	355487	B
18	30	7	A	smooth	0,05	72 NBR902	BA	7664	B
18	30	7	AS	grooved	0,02	72 NBR902	BAFUDSLX7	334286	B
18	32	7	A	smooth	0,05	72 NBR902	BAU	2751	B
18	32	8	AS	smooth	0,05	72 NBR902	BASL	6959	B
18	35	7	A	smooth	0,05	72 NBR902	BA	2752	B
18	35	7	AS	grooved	0,05	72 NBR902	BAUSLX27	451667	B
18	35	8	A	smooth	0,05	72 NBR902	BA	6967	B
18	35	10	A	smooth	0,05	72 NBR902	BAUSL	6978	B
18	35	10	A	smooth	0,05	72 NBR902	BA	6979	B
18	35	10	A	smooth	0,05	72 NBR902	BA	6980	D
18	37	10	A	smooth	0,05	72 NBR902	BA	6984	B
18	40	7	A	smooth	0,05	72 NBR902	BA	9588	B
18	40	10	A	smooth	0,05	72 NBR902	BA	6989	B
18	47	10	AS	smooth	0,05	72 NBR902	BAUSLX2	520530	B
19	27	6	A	smooth	0,05	72 NBR902	BAU	6994	B
19	30	7	A	grooved	0,02	72 NBR902	BAFUDX7	355620	B
19	32	7	A	smooth	0,05	72 NBR902	BAU	49002842	B
19	35	9	AS	smooth	0,05	72 NBR902	BASL	7003	B
19	35	10	A	smooth	0,05	72 NBR902	BA	7008	B
19	40	10	A	smooth	0,05	72 NBR902	BA	7015	B
19,05	31,75	6,35	A	smooth	0,05	72 NBR902	BA	7022	B
20	28	6	A	smooth	0,02	72 NBR902	BAFUD	532598	B
20	30	5	A	smooth	0,05	72 NBR902	BAUX2	524143	B
20	30	5	A	smooth	0,05	72 NBR902	BAUX2	49033332	B
20	30	7	A	smooth	0,05	72 NBR902	BAUX2	478758	B
20	30	7	AS	smooth	0,05	72 NBR902	BAUSLX2	524648	B
20	32	7	AS	grooved	0,02	72 NBR902	BAFUDSLX7	334813	B
20	32	7	A	smooth	0,02	72 NBR902	BAFUD	532599	B
20	33	10	A	smooth	0,05	72 NBR902	BAU	7071	B
20	35	6	A	grooved	0,02	72 NBR902	BAFUDX7	334287	B
20	35	7	A	smooth	0,05	72 NBR902	BAUX2	478761	B
20	35	7	AS	smooth	0,05	72 NBR902	BAUSLX2	478764	B
20	35	8	A	smooth	0,05	72 NBR902	BAU	7081	B
20	35	10	A	smooth	0,05	72 NBR902	BAUSL	7095	B
20	35	10	A	smooth	0,05	72 NBR902	BAUX2	49018325	B
20	36	7	A	smooth	0,05	72 NBR902	BAUX2	49007343	B
20	37	10	A	smooth	0,05	72 NBR902	BAU	7110	B
20	38	8	A	smooth	0,05	72 NBR902	BA	7112	B
20	40	6	A	smooth	0,05	72 NBR902	BA	7714	B
20	40	7	A	smooth	0,05	72 NBR902	BA	7718	D
20	40	7	AS	smooth	0,05	72 NBR902	BASL	7721	B
20	40	7	A	grooved	0,02	72 NBR902	BAFUDX7	344888	B
20	40	7	A	smooth	0,05	72 NBR902	BAUX2	529398	B
20	40	8	A	smooth	0,05	72 NBR902	BA	7124	B

B Available from stock D On request: Tool is available, delivery at short notice

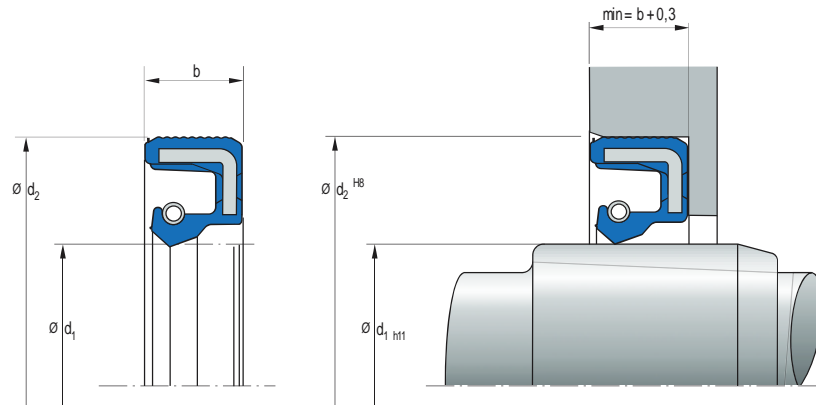


d_1	d_2	b	DIN 3761	Outer surface	Pressure	Material	Type	Article No.	
20	40	10	A	smooth	0,05	72 NBR902	BAU	7136	B
20	40	10	A	smooth	0,05	72 NBR902	BA	11604	B
20	42	7	A	smooth	0,05	72 NBR902	BAUX2	521667	B
20	42	7	AS	smooth	0,05	72 NBR902	BAUSLX2	49004094	B
20	42	10	A	smooth	0,05	72 NBR902	BA	7723	B
20	47	7	A	smooth	0,05	72 NBR902	BAUX2	526946	B
20	47	7	AS	smooth	0,02	72 NBR902	BAFUDSL	12011119	B
20	47	10	A	smooth	0,05	72 NBR902	BAU	7724	B
20	52	8	AS	smooth	0,05	72 NBR902	BAUSLX2	526094	B
20	52	10	A	smooth	0,05	72 NBR902	BAUX2	478760	B
21	32	7	A	smooth	0,05	72 NBR902	BAU	7194	B
21	32	7	A	smooth	0,05	72 NBR902	BAUX2	49034522	B
21	35	8	A	smooth	0,05	72 NBR902	BA	7197	B
21	40	10	A	smooth	0,05	72 NBR902	BAU	7209	B
22	32	7	A	smooth	0,05	72 NBR902	BA	7217	B
22	32	7	AS	smooth	0,05	72 NBR902	BASL	7530	B
22	32	7	A	smooth	0,02	72 NBR902	BAFUD	49001651	B
22	33	7	A	smooth	0,05	72 NBR902	BAU	8976	B
22	35	6,5	A	smooth	0,05	72 NBR902	BAU	7230	B
22	35	7	AS	grooved	0,02	72 NBR902	BAFUDSLX7	346137	B
22	35	7	A	smooth	0,05	72 NBR902	BAUX2	49001670	B
22	35	8	A	smooth	0,05	72 NBR902	BA	7727	B
22	35	10	A	smooth	0,05	72 NBR902	BAU	7238	B
22	37	7	A	smooth	0,05	72 NBR902	BA	7243	B
22	38	8	A	smooth	0,05	72 NBR902	BA	7249	B
22	40	7	AS	smooth	0,05	72 NBR902	BAUSLX2	478610	B
22	40	7	A	smooth	0,05	72 NBR902	BAUX2	478757	B
22	40	7	A	smooth	0,02	72 NBR902	BAFUD	12011120	B
22	40	8	A	smooth	0,05	72 NBR902	BAU	7252	B
22	40	9	AS	smooth	0,05	72 NBR902	BASL	7254	D
22	40	10	A	smooth	0,05	72 NBR902	BAU	7259	B
22	42	10	A	smooth	0,05	72 NBR902	BAU	7269	B
22	45	7	A	smooth	0,05	72 NBR902	BAU	7273	B
22	47	7	A	smooth	0,05	72 NBR902	BAUX2	524511	B
22	47	7	AS	smooth	0,05	72 NBR902	BAUSLX2	526318	B
22	47	10	A	smooth	0,05	72 NBR902	BAU	7282	B

B Available from stock D On request: Tool is available, delivery at short notice

d ₁	d ₂	b	DIN 3761	Outer surface	Pressure	Material	Type	Article No.	
22	62	10	AS	smooth	0,05	72 NBR902	BAUSLX2	520529	B
23	40	8	A	smooth	0,05	72 NBR902	BAU	7301	B
23	40	8	AS	grooved	0,02	72 NBR902	BAFUDSLX7	397856	D
23	40	10	A	grooved	0,02	72 NBR902	BAFUDX7	334797	B
23	42	10	A	smooth	0,05	72 NBR902	BAU	339040	B
23	47	10	A	smooth	0,05	72 NBR902	BA	7311	B
24	35	7	A	smooth	0,05	72 NBR902	BAU	523554	B
24	36	7	AS	smooth	0,05	72 NBR902	BASL	7325	B
24	36	9	A	smooth	0,05	72 NBR902	BAU	7329	B
24	37	7	A	smooth	0,05	72 NBR902	BAU	7331	B
24	40	7	A	smooth	0,05	72 NBR902	BA	37887	B
24	40	10	A	smooth	0,05	72 NBR902	BAU	7337	B
24	42	10	A	smooth	0,05	72 NBR902	BA	7340	B
24	47	7	A	smooth	0,05	72 NBR902	BA	13989	B
24	47	10	A	smooth	0,05	72 NBR902	BAUX2	533292	B
24	50	10	A	smooth	0,05	72 NBR902	BAU	7350	B
24	62	10	A	grooved	0,05	72 NBR902	BAUX27	451668	B
25	33	6	A	smooth	0,05	72 NBR902	BA	347393	D
25	33	6	A	smooth	0,02	72 NBR902	BAFUD	532600	B
25	35	7	AS	smooth	0,05	72 NBR902	BAUSLX2	478777	B
25	35	7	A	smooth	0,05	72 NBR902	BAUX2	49001662	B
25	35	7	A	smooth	0,05	72 NBR902	BAUX2	49010730	D
25	35	8	A	smooth	0,05	72 NBR902	BAU	7374	B
25	36	7	A	smooth	0,05	72 NBR902	BA	7380	B
25	37	5	A	smooth	0,02	72 NBR902	BAFUD	12010847	B
25	37	7	A	smooth	0,05	72 NBR902	BA	317308	D
25	37	7	A	smooth	0,05	72 NBR902	BAUX2	49028651	B
25	38	7	A	smooth	0,05	72 NBR902	BA	7389	B
25	40	5	A	grooved	0,02	72 NBR902	BAFUDX27	355425	B
25	40	7	A	smooth	0,05	72 NBR902	BAU	324743	B
25	40	7	AS	smooth	0,05	72 NBR902	BAUSLX2	524142	B
25	40	7	A	smooth	0,05	72 NBR902	BAUX2	529328	B
25	40	8	AS	smooth	0,05	72 NBR902	BAUSLX2	49017913	B
25	40	9	A	smooth	0,05	72 NBR902	BAUSL	7413	B
25	40	10	A	grooved	0,02	72 NBR902	BAFUDX7	334805	B
25	42	6	AS	smooth	0,05	72 NBR902	BAUSLX2	522901	B
25	42	6	A	smooth	0,02	72 NBR902	BAFUD	12010853	B
25	42	7	A	smooth	0,05	72 NBR902	BAU	112421	D
25	42	7	A	smooth	0,05	72 NBR902	BAUX2	478756	B
25	42	7	AS	smooth	0,05	72 NBR902	BAUSLX2	478776	B
25	42	10	A	smooth	0,05	72 NBR902	BA	7426	B
25	42	10	A	grooved	0,02	72 NBR902	BAFUDX7	334806	B
25	42,9	9,5	A	smooth	0,05	72 NBR902	BA	7746	B
25	43	10	A	smooth	0,05	72 NBR902	BA	7438	B
25	45	10	A	smooth	0,05	72 NBR902	BA	7446	B
25	45	10	A	smooth	0,05	72 NBR902	BAUSL	7755	B
25	46	7	A	smooth	0,05	72 NBR902	BAU	7457	B
25	47	7	A	grooved	0,02	72 NBR902	BAFUDX7	466318	D
25	47	7	A	smooth	0,05	72 NBR902	BAUX2	478755	B
25	47	7	AS	smooth	0,05	72 NBR902	BAUSLX2	478790	B

B Available from stock D On request: Tool is available, delivery at short notice

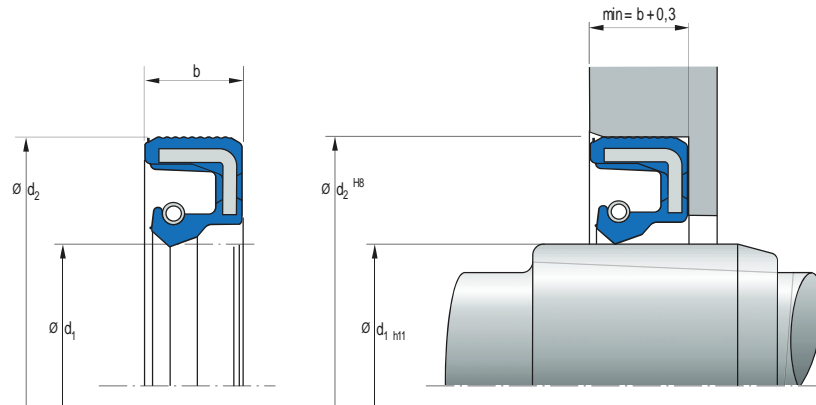


d_1	d_2	b	DIN 3761	Outer surface	Pressure	Material	Type	Article No.	
25	47	7	AS	smooth	0,02	72 NBR902	BAFUDSL	12011125	B
25	47	8	A	smooth	0,05	72 NBR902	BA	7460	B
25	47	10	A	smooth	0,05	72 NBR902	BA	7467	B
25	47	10	A	grooved	0,02	72 NBR902	BAFUDX7	355411	B
25	50	10	A	smooth	0,05	72 NBR902	BA	7483	B
25	52	7	AS	smooth	0,05	72 NBR902	BAUSLX2	524698	B
25	52	7	A	smooth	0,02	72 NBR902	BAFUD	532617	B
25	52	8	A	smooth	0,05	72 NBR902	BA	7488	B
25	52	10	A	grooved	0,02	72 NBR902	BAFUDX7	334818	B
25	52	10	A	smooth	0,05	72 NBR902	BAU	523415	B
25	62	7	AS	grooved	0,05	72 NBR902	BAUSLX27	451924	B
25	62	10	A	smooth	0,05	72 NBR902	BAU	7503	B
25	62	10	A	grooved	0,02	72 NBR902	BAFUDX7	423372	B
26	35	7	AS	smooth	0,02	72 NBR902	BAFUDSL	12000470	B
26	36	7	A	smooth	0,05	72 NBR902	BAU	7520	B
26	37	7	A	smooth	0,05	72 NBR902	BAUSL	3402	B
26	37	7	A	smooth	0,05	72 NBR902	BAU	7525	B
26	42	7	A	grooved	0,02	72 NBR902	BAFUDX7	355636	B
26	42	7	AS	smooth	0,02	72 NBR902	BAFUDSL	12011128	B
26	42	10	A	smooth	0,05	72 NBR902	BA	7535	B
26	42	10	AS	smooth	0,05	72 NBR902	BASL	308072	B
26	47	7	A	smooth	0,05	72 NBR902	BAU	9567	B
26	47	10	A	smooth	0,05	72 NBR902	BAU	7540	B
26	50	10	A	smooth	0,05	72 NBR902	BA	7546	B
26	52	8	A	smooth	0,02	72 NBR902	BAFUD	12010869	B
26	52	10	A	smooth	0,05	72 NBR902	BAU	7549	B
27	37	7	A	smooth	0,05	72 NBR902	BAU	39052	B
27	41	10	A	smooth	0,05	72 NBR902	BA	7558	B
27	42	10	A	smooth	0,02	72 NBR902	BAFUD	12010871	B
27	47	6	A	smooth	0,05	72 NBR902	BA	12010872	B
27	47	7	A	smooth	0,05	72 NBR902	BA	7564	B
27	47	10	A	smooth	0,05	72 NBR902	BA	7567	B
27	52	8	A	smooth	0,05	72 NBR902	BA	7573	B
27	52	10	A	smooth	0,05	72 NBR902	BA	7576	B
28	36	8	A	grooved	0,02	72 NBR902	BAFUDX7	520461	B
28	38	7	A	smooth	0,05	72 NBR902	BAU	7582	B

B Available from stock D On request: Tool is available, delivery at short notice

d ₁	d ₂	b	DIN 3761	Outer surface	Pressure	Material	Type	Article No.	
28	40	7	AS	smooth	0,05	72 NBR902	BASL	7771	B
28	40	7	A	grooved	0,02	72 NBR902	BAFUDX7	355391	B
28	42	8	A	smooth	0,05	72 NBR902	BA	7601	B
28	42	8	AS	grooved	0,05	72 NBR902	BAUSLX27	451925	B
28	42	10	AS	smooth	0,05	72 NBR902	BASL	7603	B
28	42,5	8	A	smooth	0,05	72 NBR902	BA	7605	B
28	42,9	9,5	A	smooth	0,05	72 NBR902	BA	7608	B
28	43	10	A	smooth	0,05	72 NBR902	BA	7611	B
28	45	7,5	A	grooved	0,02	72 NBR902	BAFUDX7	520462	B
28	47	5	A	smooth	0,05	72 NBR902	BA	7613	B
28	47	7	A	smooth	0,05	72 NBR902	BAUX2	478466	B
28	47	7	AS	smooth	0,02	72 NBR902	BAFUDSL	12011130	B
28	47	7	AS	smooth	0,05	72 NBR902	BAUSLX2	49037522	B
28	47	9	AS	smooth	0,05	72 NBR902	BASL	7618	B
28	47	10	A	smooth	0,05	72 NBR902	BAU	7623	B
28	50	10	A	smooth	0,05	72 NBR902	BAU	7631	B
28	52	7	A	smooth	0,05	72 NBR902	BAU	13990	B
28	52	7	AS	grooved	0,05	72 NBR902	BAUSLX27	451926	B
28	52	10	A	smooth	0,05	72 NBR902	BAU	7639	B
28	52	10	AS	smooth	0,02	72 NBR902	BAFUDSL	532618	B
28	52	10	AS	smooth	0,05	72 NBR902	BAUSLX2	49037521	B
28	55	9	A	smooth	0,05	72 NBR902	BA	7645	B
28	72	10	A	grooved	0,05	72 NBR902	BAUX27	451927	B
29	42,9	9,5	A	smooth	0,05	72 NBR902	BA	7650	B
29	43	7	A	smooth	0,05	72 NBR902	BAU	7652	B
30	40	7	A	smooth	0,05	72 NBR902	BAUX2	520216	B
30	40	7	AS	smooth	0,05	72 NBR902	BAUSLX2	529402	B
30	40	8	AS	grooved	0,02	72 NBR902	BAFUDSLX7	334820	B
30	42	5,7	A	smooth	0,05	72 NBR902	BAUX2	478056	B
30	42	5,7	AS	smooth	0,05	72 NBR902	BAUSLX2	478769	B
30	42	7	A	grooved	0,02	72 NBR902	BAFUDX7	355384	B
30	42	7	A	smooth	0,05	72 NBR902	BAUX2	524506	B
30	42	7	AS	smooth	0,05	72 NBR902	BAUSLX2	529400	B
30	42	7	A	smooth	0,05	72 NBR902	BAUX2	49001666	B
30	42	8	AS	smooth	0,05	72 NBR902	BAUSLX2	49004319	B
30	45	7	A	smooth	0,05	72 NBR902	BAU	7685	B
30	45	8	A	smooth	0,05	72 NBR902	BAU	7686	B
30	45	8	AS	smooth	0,02	72 NBR902	BAFUDSL	12012582	B
30	45	9,5	A	smooth	0,05	72 NBR902	BAU	7695	B
30	45	10	A	smooth	0,05	72 NBR902	BAU	7700	B
30	45	13	A	smooth	0,05	72 NBR902	BAUSL	30497	B
30	47	6	A	smooth	0,05	72 NBR902	BAUX2	528822	B
30	47	7	A	smooth	0,05	72 NBR902	BAU	328283	D
30	47	7	A	smooth	0,05	72 NBR902	BAUX2	478441	B
30	47	7	A	smooth	0,05	72 NBR902	BAUX2	531158	D
30	47	7	AS	smooth	0,02	72 NBR902	BAFUDSL	12000480	D
30	47	7	AS	smooth	0,05	72 NBR902	BAUSLX2	49001669	B
30	47	8	A	smooth	0,05	72 NBR902	BAU	7708	B
30	47	8	AS	grooved	0,02	72 NBR902	BAFUDSLX7	532619	B
30	47	10	A	smooth	0,05	72 NBR902	BAU	7716	D

B Available from stock D On request: Tool is available, delivery at short notice

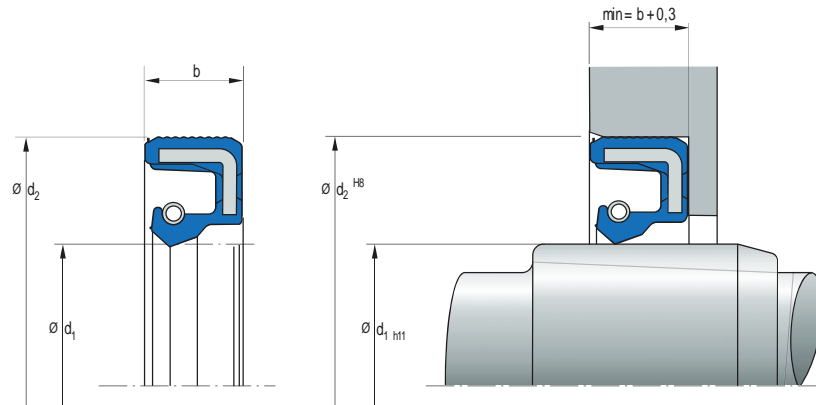


d_1	d_2	b	DIN 3761	Outer surface	Pressure	Material	Type	Article No.	
30	47	10	A	grooved	0,02	72 NBR902	BAFUDX7	355392	B
30	48	8	A	grooved	0,02	72 NBR902	BAFUDX7	335179	B
30	48	10	A	smooth	0,05	72 NBR902	BA	7729	B
30	50	7	A	smooth	0,02	72 NBR902	BAFUD	532620	B
30	50	8	A	smooth	0,02	72 NBR902	BAFUD	12010884	B
30	50	10	A	smooth	0,05	72 NBR902	BA	7741	B
30	50	10	A	smooth	0,05	72 NBR902	BAU	7742	B
30	50	10	AS	grooved	0,02	72 NBR902	BAFUDSLX7	335184	B
30	52	6	AS	smooth	0,05	72 NBR902	BAUSLX2	522129	B
30	52	7	AS	smooth	0,05	72 NBR902	BAUSLX2	524704	B
30	52	7	A	smooth	0,05	72 NBR902	BAUX2	529401	B
30	52	8	A	smooth	0,05	72 NBR902	BAU	31709	B
30	52	10	A	grooved	0,02	72 NBR902	BAFUDX7	334293	B
30	52	10	AS	smooth	0,05	72 NBR902	BAUSLX2	526319	B
30	52	12	A	smooth	0,05	72 NBR902	BA	7758	B
30	55	7	AS	smooth	0,05	72 NBR902	BAUSLX2	478774	B
30	55	7	A	smooth	0,05	72 NBR902	BAUX2	529837	B
30	55	10	A	smooth	0,05	72 NBR902	BAUSL	7767	B
30	55	10	A	grooved	0,02	72 NBR902	BAFUDX7	334232	B
30	55	10	A	smooth	0,05	72 NBR902	BAUX2	531106	B
30	56	10	A	smooth	0,05	72 NBR902	BAU	7772	B
30	60	10	A	smooth	0,05	72 NBR902	BA	7775	B
30	62	7	AS	grooved	0,05	72 NBR902	BAUSLX7	478773	B
30	62	7	A	smooth	0,05	72 NBR902	BAUX2	524703	B
30	62	10	A	grooved	0,02	72 NBR902	BAFUDX7	334294	B
30	62	12	A	smooth	0,05	72 NBR902	BAU	7783	B
30	72	10	A	smooth	0,05	72 NBR902	BA	7788	D
30	72	10	A	smooth	0,02	72 NBR902	BAFUD	523408	B
30	72	10	AS	smooth	0,05	72 NBR902	BAUSLX2	524141	B
30	72	10	A	smooth	0,05	72 NBR902	BAUX2	49009357	B
31	42	8	A	grooved	0,02	72 NBR902	BAFUDX7	520468	B
31	52	7	A	smooth	0,02	72 NBR902	BAFUD	523556	B
31	52	9,5	A	smooth	0,05	72 NBR902	BAUX2	475754	D
32	42	7	A	smooth	0,02	72 NBR902	BAFUD	12010894	B
32	45	6	A	smooth	0,05	72 NBR902	BA	7798	B
32	45	7	A	grooved	0,02	72 NBR902	BAFUDX7	334305	B

B Available from stock D On request: Tool is available, delivery at short notice

d ₁	d ₂	b	DIN 3761	Outer surface	Pressure	Material	Type	Article No.	
32	45	7	AS	smooth	0,02	72 NBR902	BAFUDSL	523419	B
32	45	7	A	smooth	0,05	72 NBR902	BAUX2	49032838	B
32	47	7	A	smooth	0,05	72 NBR902	BAUX2	49017474	B
32	47	10	A	smooth	0,05	72 NBR902	BAU	7811	B
32	48	8	A	smooth	0,05	72 NBR902	BA	7815	B
32	48	8	A	smooth	0,05	72 NBR902	BA	343302	D
32	50	8	A	smooth	0,05	72 NBR902	BAU	32679	B
32	50	10	A	smooth	0,05	72 NBR902	BA	7821	B
32	50	10	A	smooth	0,05	72 NBR902	BAUSL	7822	B
32	52	5	A	smooth	0,02	72 NBR902	BAFUD	12010897	B
32	52	7	A	smooth	0,05	72 NBR902	BAUSL	414644	B
32	52	7	A	smooth	0,05	72 NBR902	BAUX2	524454	B
32	52	7	AS	smooth	0,05	72 NBR902	BAUSLX2	49035052	B
32	52	10	A	smooth	0,05	72 NBR902	BA	7833	B
32	52	10	AS	smooth	0,02	72 NBR902	BAFUDSL	12015221	B
32	55	10	A	smooth	0,05	72 NBR902	BA	7838	B
32	56	10	A	smooth	0,05	72 NBR902	BAUSL	7842	B
32	56	10	A	smooth	0,02	72 NBR902	BAFUD	12000162	B
32	62	7	A	smooth	0,05	72 NBR902	BA	371152	B
32	62	10	A	smooth	0,05	72 NBR902	BA	7850	B
32	62	10	AS	grooved	0,05	72 NBR902	BAUSLX27	451928	B
32	80	12	AS	smooth	0,05	72 NBR902	BAUSLX2	520528	B
33	45	7	A	smooth	0,05	72 NBR902	BAU	7856	B
33	45	7	AS	grooved	0,02	72 NBR902	BAFUDSLX7	397855	D
33	50	6	AS	smooth	0,02	72 NBR902	BAFUDSL	12011140	B
33	50	8	A	smooth	0,05	72 NBR902	BA	7862	B
33	50	10	AS	smooth	0,02	72 NBR902	BAFUDSL	12011141	D
33	52	6	A	smooth	0,02	72 NBR902	BAFUD	12010900	B
33	52	10	A	smooth	0,05	72 NBR902	BA	7875	B
34	46	8	A	smooth	0,05	72 NBR902	BA	49002841	B
34	50	10	A	smooth	0,05	72 NBR902	BA	7920	B
34	52	7	AS	smooth	0,05	72 NBR902	BAUSLX2	520466	B
34	52	7	A	smooth	0,05	72 NBR902	BAUX2	521284	B
34	52	8	A	smooth	0,05	72 NBR902	BAU	7921	B
34	52	10	A	smooth	0,05	72 NBR902	BAU	7926	B
34	52	10	AS	smooth	0,02	72 NBR902	BAFUDSL	12011142	B
34	62	10	A	smooth	0,05	72 NBR902	BA	7931	B
35	45	7	A	smooth	0,05	72 NBR902	BA	143444	B
35	47	4,5	AS	smooth	0,05	72 NBR902	BAUSLX2	478057	B
35	47	4,5	A	smooth	0,05	72 NBR902	BAUX2	478767	B
35	47	7	A	smooth	0,05	72 NBR902	BAUX2	478754	B
35	47	7	AS	smooth	0,05	72 NBR902	BAUSLX2	478775	B
35	49,3	9,5	A	smooth	0,05	72 NBR902	BA	7970	B
35	50	7	A	grooved	0,02	72 NBR902	BAFUDX7	355627	B
35	50	8	AS	smooth	0,05	72 NBR902	BAUSLX2	49023892	B
35	50	10	A	smooth	0,05	72 NBR902	BAU	7976	B
35	52	7	A	smooth	0,05	72 NBR902	BAUX2	478467	B
35	52	7	AS	smooth	0,05	72 NBR902	BAUSLX2	526079	B
35	52	7	AS	smooth	0,05	72 NBR902	BAUSLX2	529399	D
35	52	10	A	smooth	0,05	72 NBR902	BAU	307255	D

B Available from stock D On request: Tool is available, delivery at short notice

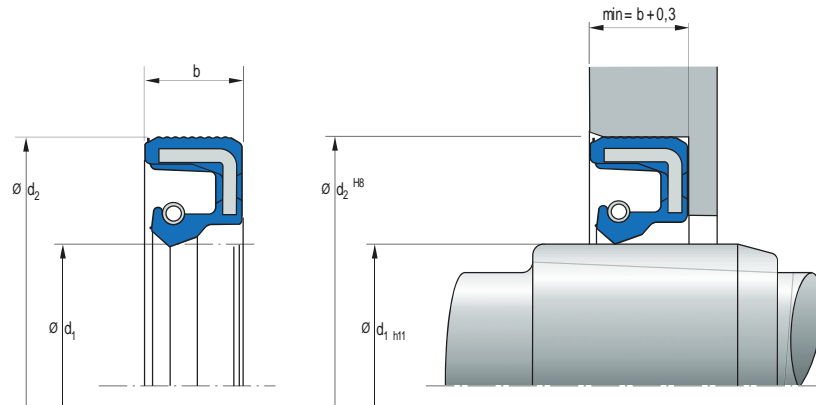


d_1	d_2	b	DIN 3761	Outer surface	Pressure	Material	Type	Article No.	
35	52	10	A	grooved	0,02	72 NBR902	BAFUDX7	334307	B
35	52	10	AS	grooved	0,05	72 NBR902	BAUSLX27	451929	B
35	52	10	A	smooth	0,05	72 NBR902	BA	523557	B
35	52	10	AS	smooth	0,05	72 NBR902	BAUSLX2	49036047	B
35	55	8	A	grooved	0,02	72 NBR902	BAFUDX7	355625	B
35	55	10	A	smooth	0,05	72 NBR902	BAU	8008	B
35	55	10	A	smooth	0,05	72 NBR902	BAUSL	301731	D
35	55	11	AS	smooth	0,02	72 NBR902	BAFUDSL	12011146	B
35	56	8	A	smooth	0,02	72 NBR902	BAFUD	523407	B
35	56	10	A	smooth	0,05	72 NBR902	BAU	8018	B
35	56	12	A	smooth	0,05	72 NBR902	BA	8021	B
35	58	10	A	smooth	0,02	72 NBR902	BAFUD	12010911	B
35	58	13	A	smooth	0,05	72 NBR902	BA	8032	B
35	60	10	A	smooth	0,02	72 NBR902	BAFUD	12010912	B
35	62	7	AS	smooth	0,05	72 NBR902	BAUSLX2	521678	B
35	62	7	A	smooth	0,05	72 NBR902	BAUX2	524700	B
35	62	8	AS	smooth	0,05	72 NBR902	BAUSLX2	477145	B
35	62	10	A	smooth	0,05	72 NBR902	BA	8049	B
35	62	10	A	grooved	0,02	72 NBR902	BAFUDX7	355435	B
35	62	10	AS	grooved	0,05	72 NBR902	BAUSLX27	49001657	B
35	62	12	A	smooth	0,05	72 NBR902	BAUSL	8055	B
35	65	10	A	smooth	0,05	72 NBR902	BA	8060	B
35	65	10	A	smooth	0,05	72 NBR902	BAUSL	396063	B
35	68	10	AS	smooth	0,05	72 NBR902	BAUSLX2	522766	B
35	72	7	A	grooved	0,02	72 NBR902	BAFUDX7	407517	B
35	72	10	A	smooth	0,02	72 NBR902	BAFUD	12010915	B
35	72	10	AS	smooth	0,02	72 NBR902	BAFUDSL	12013421	B
35	72	10	A	smooth	0,05	72 NBR902	BAUX2	49037523	B
35	72	10	AS	smooth	0,05	72 NBR902	BAUSLX2	49037524	B
35	72	12	AS	smooth	0,05	72 NBR902	BASL	35525	B
35	72	12	A	grooved	0,02	72 NBR902	BAFUDX7	355478	B
35	80	10	AS	smooth	0,02	72 NBR902	BAFUDSL	12000498	B
35	80	12	A	smooth	0,05	72 NBR902	BAUX2	524507	B
36	47	7	A	smooth	0,05	72 NBR902	BA	3441	B
36	50	7	A	grooved	0,02	72 NBR902	BAFUDX7	355476	B
36	50	10	A	smooth	0,05	72 NBR902	BA	8074	B

B Available from stock D On request: Tool is available, delivery at short notice

d ₁	d ₂	b	DIN 3761	Outer surface	Pressure	Material	Type	Article No.	
36	52	7	A	smooth	0,05	72 NBR902	BAUX2	49009240	B
36	54	7	A	smooth	0,05	72 NBR902	BAUX2	533282	B
36	56	10	A	smooth	0,05	72 NBR902	BAU	8083	B
36	62	7	A	smooth	0,05	72 NBR902	BA	18265	B
36	62	7	AS	grooved	0,02	72 NBR902	BAFUDSLX7	12014769	B
36	68	10	AS	smooth	0,05	72 NBR902	BAUSLX2	475374	B
37	52	8	A	smooth	0,05	72 NBR902	BAU	8112	B
37	62	10	A	smooth	0,05	72 NBR902	BA	8118	B
38	50	7	A	grooved	0,02	72 NBR902	BAFUDX7	334309	B
38	52	7	AS	smooth	0,05	72 NBR902	BAUSLX2	49002810	B
38	52	7	A	smooth	0,05	72 NBR902	BAUX2	49008124	B
38	52	8	A	smooth	0,05	72 NBR902	BAU	17193	B
38	52	10	A	smooth	0,05	72 NBR902	BAU	8135	B
38	54	6,5	A	smooth	0,05	72 NBR902	BA	8137	B
38	54	10	A	smooth	0,05	72 NBR902	BA	8141	B
38	55	7	A	smooth	0,05	72 NBR902	BA	49002526	B
38	55	10	A	smooth	0,05	72 NBR902	BAU	8145	B
38	55	10	A	smooth	0,05	72 NBR902	BA	356911	D
38	56	10	A	smooth	0,05	72 NBR902	BA	8150	B
38	58	10	A	smooth	0,05	72 NBR902	BA	8151	B
38	60	10	A	smooth	0,05	72 NBR902	BAU	8153	B
38	62	7	A	smooth	0,05	72 NBR902	BAU	13052	B
38	62	10	A	smooth	0,05	72 NBR902	BAU	8156	B
38	62	12	A	smooth	0,05	72 NBR902	BA	8162	B
38	65	10	A	smooth	0,05	72 NBR902	BA	8165	B
38	65	10	A	smooth	0,05	72 NBR902	BAUSL	325682	B
38	72	10	A	smooth	0,02	72 NBR902	BAFUD	523550	B
38	72	12	A	smooth	0,05	72 NBR902	BAU	302909	B
38	74	10	A	smooth	0,05	72 NBR902	BAUSL	8167	B
38	80	12	A	smooth	0,05	72 NBR902	BA	8169	B
38	90	12	A	grooved	0,05	72 NBR902	BAUX27	453161	B
39	52	6,5	A	smooth	0,05	72 NBR902	BA	8188	B
40	50	7	A	smooth	0,05	72 NBR902	BAUX2	475178	B
40	52	6	A	grooved	0,02	72 NBR902	BAFUDX7	334824	B
40	52	7	AS	smooth	0,05	72 NBR902	BASL	8222	B
40	52	7	A	smooth	0,05	72 NBR902	BAU	13255	D
40	52	7	A	grooved	0,02	72 NBR902	BAFUDX7	355639	B
40	52	7	AS	smooth	0,05	72 NBR902	BAUSLX2	525281	B
40	52	7	A	smooth	0,05	72 NBR902	BAUX2	530339	D
40	52	7	A	smooth	0,05	72 NBR902	BAUX2	49032729	B
40	52	8	A	smooth	0,05	72 NBR902	BA	8226	B
40	55	7	A	smooth	0,05	72 NBR902	BAUX2	478753	B
40	55	7	AS	smooth	0,05	72 NBR902	BAUSLX2	524462	B
40	55	7	A	smooth	0,05	72 NBR902	BAUX2	529478	D
40	55	8	A	grooved	0,02	72 NBR902	BAFUDX7	423373	B
40	55	8	AS	smooth	0,05	72 NBR902	BAUSLX2	529404	B
40	55	10	A	smooth	0,05	72 NBR902	BAU	8234	B
40	55	10	AS	smooth	0,05	72 NBR902	BASL	8235	B
40	55	12	A	smooth	0,05	72 NBR902	BA	8239	B
40	56	8	A	smooth	0,02	72 NBR902	BAFUD	12010933	B

B Available from stock D On request: Tool is available, delivery at short notice

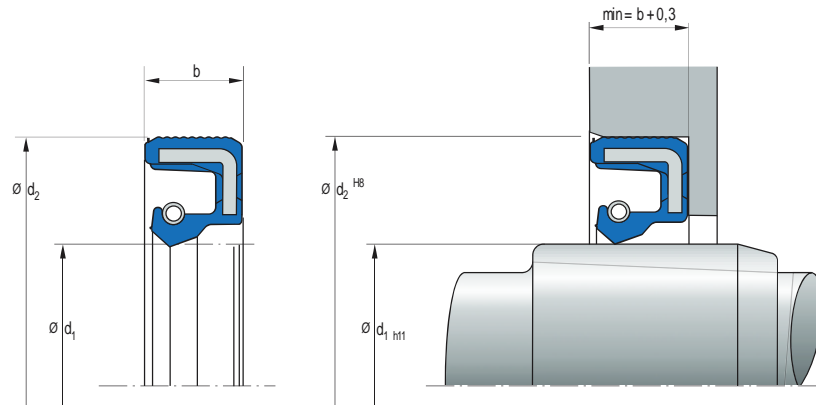


d_1	d_2	b	DIN 3761	Outer surface	Pressure	Material	Type	Article No.	
40	56	8	AS	smooth	0,02	72 NBR902	BAFUDSL	12011577	B
40	56	10	A	smooth	0,05	72 NBR902	BAU	8249	B
40	58	9	AS	grooved	0,02	72 NBR902	BAFUDSLX7	355477	B
40	58	12	A	smooth	0,05	72 NBR902	BAU	8254	B
40	60	10	A	grooved	0,02	72 NBR902	BAFUDX7	334311	B
40	60	10	AS	smooth	0,05	72 NBR902	BAUSLX2	49023925	B
40	62	7	A	smooth	0,05	72 NBR902	BAUX2	478752	B
40	62	7	AS	smooth	0,05	72 NBR902	BAUSLX2	478770	B
40	62	8	AS	smooth	0,05	72 NBR902	BAUSLX2	477523	B
40	62	10	A	smooth	0,05	72 NBR902	BA	8279	B
40	62	10	A	smooth	0,05	72 NBR902	BAUX2	531174	B
40	62	10	AS	smooth	0,05	72 NBR902	BAUSLX2	49023829	B
40	62	12	A	smooth	0,05	72 NBR902	BAU	8286	B
40	65	10	AS	smooth	0,05	72 NBR902	BASL	39765	B
40	65	10	A	grooved	0,02	72 NBR902	BAFUDX7	355482	B
40	65	12	A	smooth	0,05	72 NBR902	BA	8298	B
40	68	6	AS	smooth	0,05	72 NBR902	BAUSLX2	529094	B
40	68	8	AS	smooth	0,05	72 NBR902	BAUSLX2	49001661	B
40	68	8	A	smooth	0,05	72 NBR902	BAUX2	49001672	B
40	68	8	AS	smooth	0,05	72 NBR902	BAUSLX2	49029022	B
40	68	10	A	smooth	0,05	72 NBR902	BAUX2	524498	B
40	70	8	A	smooth	0,05	72 NBR902	BA	8304	B
40	70	10	A	smooth	0,05	72 NBR902	BA	8307	B
40	72	7	AS	smooth	0,05	72 NBR902	BAUSLX2	478772	B
40	72	7	A	smooth	0,02	72 NBR902	BAFUD	49001652	B
40	72	7	A	smooth	0,05	72 NBR902	BAUX2	49037526	B
40	72	10	A	smooth	0,05	72 NBR902	BA	8310	B
40	72	10	AS	smooth	0,05	72 NBR902	BAUSLX2	477144	B
40	72	12	A	smooth	0,05	72 NBR902	BAU	8312	B
40	80	7	AS	smooth	0,05	72 NBR902	BAUSLX2	49004252	B
40	80	10	A	grooved	0,02	72 NBR902	BAFUDX7	355479	B
40	80	10	AS	smooth	0,05	72 NBR902	BAUSLX2	455619	B
40	80	10	A	smooth	0,05	72 NBR902	BAUX2	49037525	B
40	80	12	AS	smooth	0,02	72 NBR902	BAFUDSL	12011162	B
40	80	13	A	smooth	0,05	72 NBR902	BA	8318	D
40	85	10	A	smooth	0,05	72 NBR902	BAUX2	523393	B

B Available from stock D On request: Tool is available, delivery at short notice

d ₁	d ₂	b	DIN 3761	Outer surface	Pressure	Material	Type	Article No.	
40	85	10	AS	smooth	0,05	72 NBR902	BAUSLX2	523394	B
40	90	8	AS	smooth	0,02	72 NBR902	BAFUDSL	12012533	B
40	90	10	A	grooved	0,02	72 NBR902	BAFUDX7	407521	B
40	90	10	AS	smooth	0,05	72 NBR902	BAUSLX2	520957	B
40	90	10	A	smooth	0,05	72 NBR902	BAUX2	49037527	B
40	90	12	AS	grooved	0,02	72 NBR902	BAFUDSLX7	407522	B
41	56	10	A	smooth	0,05	72 NBR902	BA	153820	B
42	55	7	A	smooth	0,05	72 NBR902	BAU	8342	B
42	55	7	A	smooth	0,05	72 NBR902	BAUX2	49031451	B
42	55	8	AS	grooved	0,02	72 NBR902	BAFUDSLX7	407523	B
42	55	8	A	smooth	0,05	72 NBR902	BAUX2	530818	B
42	56	7	A	smooth	0,05	72 NBR902	BAUSL	121799	B
42	56	7	A	grooved	0,02	72 NBR902	BAFUDX7	334313	B
42	56	7	A	smooth	0,05	72 NBR902	BAU	523558	B
42	60	10	A	smooth	0,05	72 NBR902	BA	8356	B
42	62	8	A	smooth	0,05	72 NBR902	BAUX2	478766	B
42	62	8	AS	smooth	0,02	72 NBR902	BAFUDSL	12011163	B
42	62	10	A	smooth	0,05	72 NBR902	BAU	8363	B
42	62	12	A	smooth	0,05	72 NBR902	BA	8367	B
42	65	10	A	smooth	0,05	72 NBR902	BA	8373	B
42	65	10	AS	grooved	0,02	72 NBR902	BAFUDSLX7	466342	B
42	72	8	AS	smooth	0,05	72 NBR902	BAUSLX2	475175	B
42	72	8	A	smooth	0,05	72 NBR902	BAUX2	49001667	B
42	72	10	A	smooth	0,05	72 NBR902	BAU	8381	B
42	72	10	AS	grooved	0,05	72 NBR902	BAUSLX27	450733	B
43	60	10	A	smooth	0,05	72 NBR902	BA	8393	B
44	58,4	10	A	smooth	0,05	72 NBR902	BAU	347394	B
44	60	10	A	smooth	0,05	72 NBR902	BAU	8406	B
44	62	10	A	smooth	0,05	72 NBR902	BA	8408	B
44	65	10	A	smooth	0,05	72 NBR902	BA	8414	B
44	72	10	A	smooth	0,05	72 NBR902	BA	8420	B
44	80	13	A	smooth	0,05	72 NBR902	BAU	146270	B
45	55	7	A	grooved	0,05	72 NBR902	BAUX27	453162	B
45	55	7	AS	grooved	0,05	72 NBR902	BAUSLX27	533201	B
45	55	7	A	smooth	0,05	72 NBR902	BAUX2	49022656	B
45	58	7	A	smooth	0,05	72 NBR902	BA	8442	B
45	58	7	AS	smooth	0,02	72 NBR902	BAFUDSL	12013433	B
45	60	7	A	smooth	0,05	72 NBR902	BA	8447	B
45	60	7	A	grooved	0,02	72 NBR902	BAFUDX7	334830	D
45	60	7	AS	smooth	0,05	72 NBR902	BAUSLX2	478771	B
45	60	7	A	grooved	0,02	72 NBR902	BAFUDX7	532621	B
45	60	8	A	smooth	0,05	72 NBR902	BAUX2	524652	B
45	60	8	AS	smooth	0,02	72 NBR902	BAFUDSL	12011165	B
45	60	10	A	smooth	0,05	72 NBR902	BAU	8454	B
45	62	7	A	grooved	0,02	72 NBR902	BAFUDX7	334314	B
45	62	7	A	smooth	0,05	72 NBR902	BAUX2	49028673	B
45	62	7,5	AS	smooth	0,05	72 NBR902	BASL	8461	B
45	62	8	A	smooth	0,05	72 NBR902	BAUX2	526947	B
45	62	8	AS	smooth	0,05	72 NBR902	BAUSLX2	529403	B
45	62	10	A	smooth	0,05	72 NBR902	BAUSL	8479	B

B Available from stock D On request: Tool is available, delivery at short notice

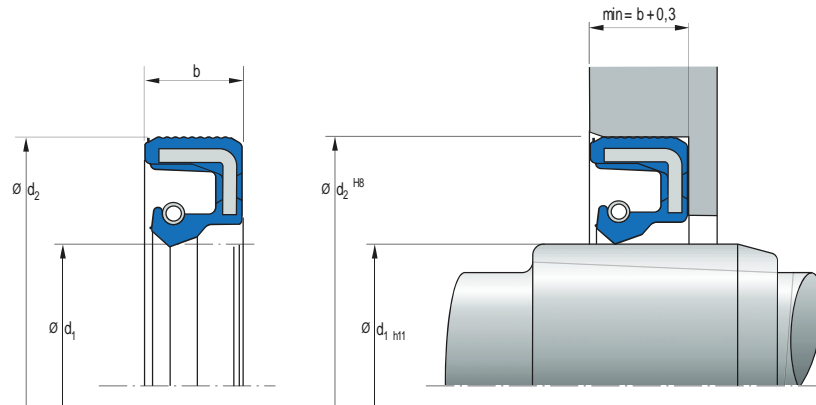


d_1	d_2	b	DIN 3761	Outer surface	Pressure	Material	Type	Article No.	
45	62	10	A	grooved	0,02	72 NBR902	BAFUDX7	334295	B
45	62	12	A	smooth	0,05	72 NBR902	BA	8483	B
45	65	8	A	smooth	0,02	72 NBR902	BAFUD	532622	B
45	65	8	A	smooth	0,05	72 NBR902	BAUX2	49037529	B
45	65	10	AS	grooved	0,02	72 NBR902	BAFUDSLX7	334298	B
45	65	10	A	grooved	0,02	72 NBR902	BAFUDX7	355409	B
45	65	10	A	smooth	0,05	72 NBR902	BAU	366521	D
45	65	10	AS	grooved	0,02	72 NBR902	BAFUDSLX7	394402	D
45	66	6	A	smooth	0,05	72 NBR902	BA	31719	B
45	66	6	A	smooth	0,05	72 NBR902	BA	49019342	B
45	68	10	A	grooved	0,02	72 NBR902	BAFUDX7	355488	B
45	70	10	A	smooth	0,02	72 NBR902	BAFUD	12010957	B
45	72	8	A	grooved	0,02	72 NBR902	BAFUDX7	334282	B
45	72	8	A	smooth	0,05	72 NBR902	BAUX2	531104	B
45	72	8	AS	smooth	0,05	72 NBR902	BAUSLX2	49006102	B
45	72	10	A	smooth	0,05	72 NBR902	BAUX2	49018324	B
45	75	7	AS	grooved	0,05	72 NBR902	BAUSLX27	49001658	B
45	75	7	A	grooved	0,05	72 NBR902	BAUX27	49001659	B
45	75	8	A	smooth	0,05	72 NBR902	BAU	368920	B
45	75	8	AS	smooth	0,05	72 NBR902	BAUSLX2	524804	B
45	75	8	AS	smooth	0,05	72 NBR902	BAUSLX2	49005159	D
45	75	10	A	grooved	0,02	72 NBR902	BAFUDX7	334299	B
45	75	10	A	smooth	0,05	72 NBR902	BAUSL	524452	D
45	75	10	A	smooth	0,05	72 NBR902	BAUX2	526932	B
45	75	10	AS	smooth	0,02	72 NBR902	BAFUDSL	12000514	B
45	80	8	A	smooth	0,05	72 NBR902	BAU	8536	B
45	80	10	A	grooved	0,02	72 NBR902	BAFUDX7	334300	B
45	80	10	AS	smooth	0,05	72 NBR902	BAUSLX2	526075	B
45	80	10	A	smooth	0,05	72 NBR902	BAUX2	49037528	B
45	80	13	A	smooth	0,05	72 NBR902	BA	8543	B
45	85	10	A	smooth	0,05	72 NBR902	BAU	141529	B
45	85	10	AS	smooth	0,05	72 NBR902	BAUSLX2	470429	B
45	85	10	A	smooth	0,05	72 NBR902	BAUSL	524451	D
45	100	10	A	smooth	0,05	72 NBR902	BA	103209	B
46	64	8	A	smooth	0,05	72 NBR902	BA	8560	B
46	65	10	A	smooth	0,05	72 NBR902	BAU	8562	B

B Available from stock D On request: Tool is available, delivery at short notice

d ₁	d ₂	b	DIN 3761	Outer surface	Pressure	Material	Type	Article No.	
46	65	10	AS	smooth	0,02	72 NBR902	BAFUDSL	523567	B
46,94	62	8	A	smooth	0,05	72 NBR902	BA	8578	B
47	62	6	A	smooth	0,05	72 NBR902	BA	8582	B
47	65	10	AS	smooth	0,05	72 NBR902	BAUSLX2	478470	B
47	90	10	AS	smooth	0,05	72 NBR902	BAUSLX2	478472	B
48	62	8	A	grooved	0,02	72 NBR902	BAFUDX7	334832	B
48	62	8	AS	smooth	0,05	72 NBR902	BAUSLX2	49001665	B
48	65	8	A	smooth	0,05	72 NBR902	BA	8597	B
48	65	10	A	smooth	0,05	72 NBR902	BAU	8604	B
48	65	10	A	smooth	0,05	72 NBR902	BAUSL	8606	B
48	65	10	AS	smooth	0,05	72 NBR902	BAUSLX2	49040137	B
48	68	10	A	smooth	0,05	72 NBR902	BA	8617	B
48	68	10	AS	smooth	0,05	72 NBR902	BAUSLX2	529405	B
48	70	10	A	smooth	0,05	72 NBR902	BAU	8624	B
48	72	7	A	grooved	0,02	72 NBR902	BAFUDX7	334833	B
48	72	8	A	grooved	0,02	72 NBR902	BAFUDX7	334301	B
48	72	8	AS	smooth	0,05	72 NBR902	BAUSLX2	524140	B
48	72	10	A	smooth	0,05	72 NBR902	BAU	8633	B
48	72	12	A	smooth	0,05	72 NBR902	BA	8640	B
48	72	12	A	smooth	0,05	72 NBR902	BAUSL	8641	B
48	80	10	A	grooved	0,02	72 NBR902	BAFUDX7	334302	B
49	65	10	A	smooth	0,05	72 NBR902	BA	8648	B
50	60	4,5	A	smooth	0,05	72 NBR902	BAUSL	49033416	D
50	62	7	AS	smooth	0,02	72 NBR902	BAFUDSL	12011173	B
50	65	8	A	smooth	0,05	72 NBR902	BAU	8655	D
50	65	8	A	smooth	0,05	72 NBR902	BAUSL	8659	D
50	65	8	A	grooved	0,02	72 NBR902	BAFUDX7	334500	B
50	65	8	AS	smooth	0,02	72 NBR902	BAFUDSL	532623	B
50	65	8	AS	smooth	0,05	72 NBR902	BAUSLX2	49008230	D
50	65	10	A	smooth	0,05	72 NBR902	BAU	8662	B
50	65	10	AS	smooth	0,05	72 NBR902	BAUSLX2	455621	B
50	68	8	AS	smooth	0,05	72 NBR902	BAUSLX2	475179	B
50	68	8	A	smooth	0,02	72 NBR902	BAFUD	532624	B
50	68	10	A	smooth	0,05	72 NBR902	BAU	8668	B
50	68	10	AS	smooth	0,02	72 NBR902	BAFUDSL	12011176	B
50	68	12	A	smooth	0,05	72 NBR902	BA	8670	B
50	70	9	AS	grooved	0,02	72 NBR902	BAFUDSLX7	365415	B
50	70	10	A	grooved	0,02	72 NBR902	BAFUDX7	334834	B
50	70	10	AS	smooth	0,02	72 NBR902	BAFUDSL	12000520	B
50	70	12	A	smooth	0,05	72 NBR902	BAU	8677	B
50	70	12	A	smooth	0,05	72 NBR902	BA	385267	D
50	72	8	AS	smooth	0,05	72 NBR902	BAUSLX2	529406	B
50	72	8	A	smooth	0,02	72 NBR902	BAFUD	49001627	B
50	72	10	A	smooth	0,05	72 NBR902	BA	8694	B
50	72	10	A	grooved	0,02	72 NBR902	BAFUDX7	346653	B
50	72	12	AS	grooved	0,02	72 NBR902	BAFUDSLX7	334835	B
50	72	12	AS	smooth	0,05	72 NBR902	BAUSLX2	530502	B
50	75	7	AS	smooth	0,05	72 NBR902	BAUSLX2	522367	B
50	75	10	A	smooth	0,05	72 NBR902	BAU	8711	B
50	78	10	A	smooth	0,05	72 NBR902	BAU	8713	B

B Available from stock D On request: Tool is available, delivery at short notice

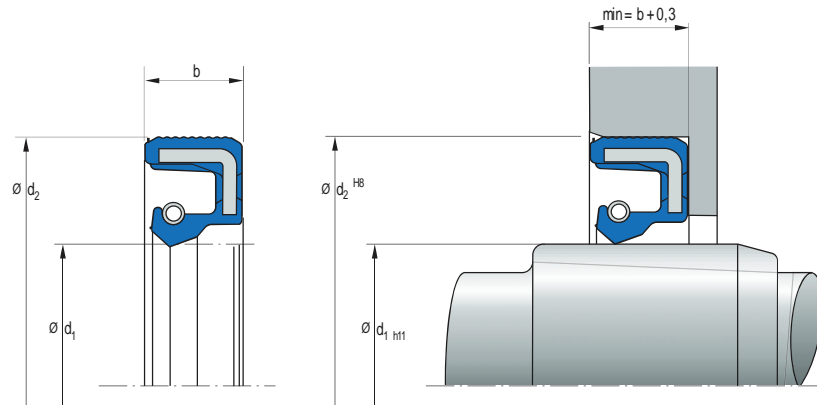


d_1	d_2	b	DIN 3761	Outer surface	Pressure	Material	Type	Article No.	
50	80	8	AS	smooth	0,05	72 NBR902	BAUSLX2	522368	B
50	80	8	A	smooth	0,05	72 NBR902	BAUX2	531107	B
50	80	8	A	smooth	0,02	72 NBR902	BAFUD	49001628	B
50	80	10	A	smooth	0,05	72 NBR902	BAU	8716	B
50	80	10	AS	grooved	0,05	72 NBR902	BAUSLX27	451009	B
50	80	10	AS	smooth	0,05	72 NBR902	BAUSLX2	455623	B
50	80	10	A	smooth	0,05	72 NBR902	BAUX2	49037530	B
50	80	13	A	smooth	0,05	72 NBR902	BA	8720	B
50	80	13	A	smooth	0,05	72 NBR902	BAUSL	340571	B
50	85	10	AS	smooth	0,05	72 NBR902	BAUSLX2	521126	B
50	90	8	AS	grooved	0,05	72 NBR902	BAUSLX27	49001660	B
50	90	10	AS	smooth	0,05	72 NBR902	BAUSLX2	455625	B
50	90	10	A	smooth	0,05	72 NBR902	BAUX2	531103	B
50	110	10	AS	smooth	0,05	72 NBR902	BAUSLX2	49014241	B
52	68	8	A	grooved	0,02	72 NBR902	BAFUDX7	334316	B
52	68	8	AS	smooth	0,02	72 NBR902	BAFUDSL	12013905	B
52	68	10	A	smooth	0,05	72 NBR902	BA	8742	B
52	72	8	A	grooved	0,02	72 NBR902	BAFUDX7	355489	B
52	72	10	A	smooth	0,05	72 NBR902	BAU	8747	B
52	72	10	AS	smooth	0,05	72 NBR902	BAUSLX2	470379	B
52	72	12	A	smooth	0,05	72 NBR902	BA	8749	B
52	75	10	A	smooth	0,05	72 NBR902	BA	8751	B
52	80	10	A	smooth	0,05	72 NBR902	BA	8753	B
52	85	10	A	smooth	0,05	72 NBR902	BA	8763	B
52	85	10	A	smooth	0,02	72 NBR902	BAFUD	523559	B
52	100	10	AS	smooth	0,05	72 NBR902	BAUSLX2	470342	B
53	68	10	A	smooth	0,02	72 NBR902	BAFUD	12010980	B
54	70	10	A	smooth	0,05	72 NBR902	BA	8781	B
54	81	10	AS	grooved	0,02	72 NBR902	BAFUDSLX7	407530	B
55	68	8	A	grooved	0,02	72 NBR902	BAFUDX7	355483	B
55	68	8	AS	smooth	0,05	72 NBR902	BAUSLX2	525828	B
55	70	7	A	smooth	0,05	72 NBR902	BAUX2	520469	B
55	70	7	AS	smooth	0,05	72 NBR902	BAUSLX2	521375	B
55	70	8	A	smooth	0,05	72 NBR902	BAUX2	528747	B
55	70	8	AS	smooth	0,02	72 NBR902	BAFUDSL	49001656	B
55	70	10	A	smooth	0,05	72 NBR902	BAU	8799	B

B Available from stock D On request: Tool is available, delivery at short notice

d ₁	d ₂	b	DIN 3761	Outer surface	Pressure	Material	Type	Article No.	
55	72	8	AS	smooth	0,05	72 NBR902	BAUSLX2	476679	B
55	72	8	A	smooth	0,02	72 NBR902	BAFUD	532625	B
55	72	10	A	grooved	0,02	72 NBR902	BAFUDX7	335477	B
55	72	10	AS	smooth	0,05	72 NBR902	BAUSLX2	462742	B
55	75	8	AS	smooth	0,05	72 NBR902	BAUSLX2	475176	B
55	75	10	A	grooved	0,02	72 NBR902	BAFUDX7	355484	B
55	75	10	A	smooth	0,05	72 NBR902	BAU	366523	D
55	75	13	A	smooth	0,05	72 NBR902	BAU	8815	B
55	78	10	A	smooth	0,05	72 NBR902	BA	8822	B
55	80	8	AS	smooth	0,05	72 NBR902	BAUSLX2	524199	B
55	80	8	A	smooth	0,05	72 NBR902	BAUX2	524646	B
55	80	10	A	smooth	0,05	72 NBR902	BAU	8825	B
55	80	10	AS	smooth	0,05	72 NBR902	BAUSLX2	524501	B
55	80	13	A	smooth	0,05	72 NBR902	BAU	8834	B
55	85	8	A	smooth	0,05	72 NBR902	BAU	523560	B
55	85	10	A	smooth	0,05	72 NBR902	BA	8836	B
55	85	13	A	smooth	0,05	72 NBR902	BAU	8838	B
55	90	8	AS	grooved	0,05	72 NBR902	BAUSLX7	377885	B
55	90	8	A	smooth	0,05	72 NBR902	BAUX2	49009274	B
55	90	8	AS	smooth	0,05	72 NBR902	BAUSLX2	49033016	B
55	90	10	AS	smooth	0,05	72 NBR902	BAUSLX2	455630	B
55	90	10	A	smooth	0,05	72 NBR902	BAUX2	521240	B
55	100	8	AS	smooth	0,05	72 NBR902	BAUSLX2	49003306	B
55	100	10	AS	smooth	0,05	72 NBR902	BAUSLX2	470437	B
55	100	10	A	smooth	0,05	72 NBR902	BAUX2	49002809	B
56	70	8	A	smooth	0,05	72 NBR902	BA	27338	B
56	70	8	AS	smooth	0,02	72 NBR902	BAFUDSL	12011189	B
56	72	8	A	smooth	0,05	72 NBR902	BAU	8850	B
56	72	10	A	smooth	0,05	72 NBR902	BA	8856	B
56	80	8	A	smooth	0,05	72 NBR902	BA	2799	B
56	85	8	A	smooth	0,05	72 NBR902	BA	31451	B
56	85	8	A	smooth	0,02	72 NBR902	BAFUD	523561	B
58	72	8	A	smooth	0,02	72 NBR902	BAFUD	49001629	B
58	75	10	A	grooved	0,02	72 NBR902	BAFUDX7	334320	B
58	80	8	A	grooved	0,02	72 NBR902	BAFUDX7	334839	B
58	80	10	A	smooth	0,05	72 NBR902	BAU	8883	B
58	80	10	AS	grooved	0,02	72 NBR902	BAFUDSLX7	12011190	B
58	90	10	A	smooth	0,02	72 NBR902	BAFUD	12010996	B
60	75	8	A	smooth	0,05	72 NBR902	BAU	390993	D
60	75	8	AS	smooth	0,05	72 NBR902	BAUSLX2	524219	B
60	75	8	A	smooth	0,05	72 NBR902	BAUX2	49017410	B
60	78	10	A	smooth	0,05	72 NBR902	BA	8909	B
60	80	8	A	grooved	0,02	72 NBR902	BAFUDX7	334321	B
60	80	8	AS	smooth	0,05	72 NBR902	BAUSLX2	49028650	B
60	80	8	AS	smooth	0,05	72 NBR902	BAUSLX2	49030494	B
60	80	10	A	smooth	0,05	72 NBR902	BAU	8920	D
60	80	10	AS	smooth	0,05	72 NBR902	BASL	8927	B
60	80	10	AS	smooth	0,05	72 NBR902	BAUSLX2	529407	B
60	80	10	A	smooth	0,05	72 NBR902	BAUX2	49020336	B
60	80	13	AS	smooth	0,05	72 NBR902	BAUSLX2	49040138	B

B Available from stock D On request: Tool is available, delivery at short notice

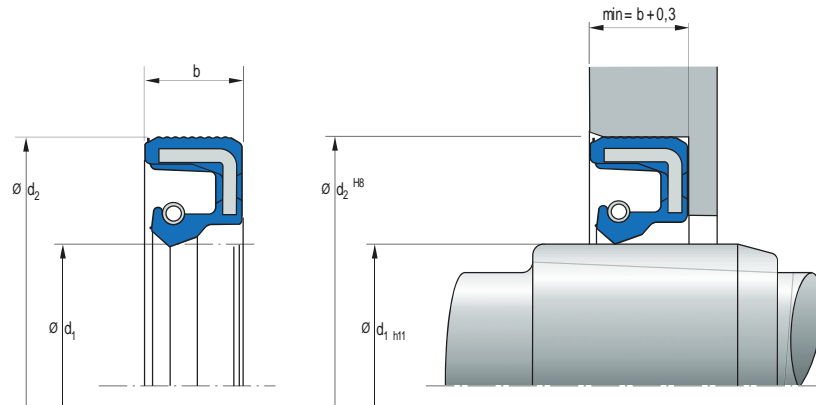


d_1	d_2	b	DIN 3761	Outer surface	Pressure	Material	Type	Article No.	
60	85	8	A	grooved	0,02	72 NBR902	BAFUDX7	334322	B
60	85	8	AS	smooth	0,02	72 NBR902	BAFUDSL	12011193	B
60	85	10	A	grooved	0,02	72 NBR902	BAFUDX7	334842	B
60	85	13	A	smooth	0,05	72 NBR902	BA	8941	B
60	90	8	A	grooved	0,02	72 NBR902	BAFUDX7	334844	B
60	90	8	AS	smooth	0,05	72 NBR902	BAUSLX2	524647	B
60	90	8	AS	smooth	0,02	72 NBR902	BAFUDSL	12011194	B
60	90	8	A	smooth	0,05	72 NBR902	BAUX2	49037534	B
60	90	9	AS	smooth	0,05	72 NBR902	BAUSLX2	522366	B
60	90	10	A	smooth	0,05	72 NBR902	BAU	8952	B
60	90	13	A	grooved	0,02	72 NBR902	BAFUDX7	334234	B
60	95	10	A	smooth	0,05	72 NBR902	BAUX2	525827	B
60	95	10	AS	smooth	0,02	72 NBR902	BAFUDSL	12000533	B
60	100	10	A	smooth	0,05	72 NBR902	BAU	8963	B
60	100	10	AS	smooth	0,05	72 NBR902	BAUSLX2	49011493	B
60	110	10	AS	smooth	0,05	72 NBR902	BAUSLX2	479624	B
60	110	10	A	smooth	0,05	72 NBR902	BAUX2	530010	B
60	110	12	AS	smooth	0,05	72 NBR902	BAUSLX2	455632	B
60	110	13	A	smooth	0,05	72 NBR902	BA	8965	B
62	80	10	A	smooth	0,05	72 NBR902	BA	8978	B
62	85	10	A	smooth	0,05	72 NBR902	BA	8983	B
62	90	10	A	grooved	0,02	72 NBR902	BAFUDX7	334847	B
62	90	10	A	smooth	0,05	72 NBR902	BAU	523562	D
62	90	12	AS	smooth	0,05	72 NBR902	BAUSLX2	470364	B
62	120	12	AS	smooth	0,05	72 NBR902	BAUSLX2	470345	B
63	85	10	A	smooth	0,05	72 NBR902	BAU	2794	B
63	90	10	A	smooth	0,05	72 NBR902	BA	14877	B
64	80	8	A	smooth	0,02	72 NBR902	BAFUD	12011006	B
64	90	10	A	smooth	0,05	72 NBR902	BA	9003	B
65	80	8	A	grooved	0,02	72 NBR902	BAFUDX7	355414	B
65	80	8	AS	grooved	0,05	72 NBR902	BAUSLX7	49033418	D
65	85	10	A	smooth	0,05	72 NBR902	BAU	9011	D
65	85	10	A	grooved	0,02	72 NBR902	BAFUDX7	334324	B
65	85	10	AS	smooth	0,02	72 NBR902	BAFUDSL	12011195	B
65	85	12	AS	smooth	0,05	72 NBR902	BAUSLX2	470431	B
65	85	13	A	smooth	0,05	72 NBR902	BA	9015	B

B Available from stock D On request: Tool is available, delivery at short notice

d ₁	d ₂	b	DIN 3761	Outer surface	Pressure	Material	Type	Article No.	
65	85	13	AS	grooved	0,02	72 NBR902	BAFUDSLX7	355410	B
65	90	8	AS	smooth	0,05	72 NBR902	BAUSLX2	49017459	B
65	90	10	AS	smooth	0,05	72 NBR902	BAUSLX2	524504	B
65	90	10	A	smooth	0,05	72 NBR902	BAUX2	527119	B
65	90	13	A	smooth	0,05	72 NBR902	BA	9030	B
65	95	10	A	grooved	0,02	72 NBR902	BAFUDX7	334849	B
65	100	10	AS	grooved	0,05	72 NBR902	BAUSLX7	451669	B
65	100	10	A	smooth	0,02	72 NBR902	BAFUD	49001654	B
65	100	10	AS	smooth	0,05	72 NBR902	BAUSLX2	49001671	B
65	100	12	A	smooth	0,05	72 NBR902	BA	9041	B
65	100	12	AS	smooth	0,05	72 NBR902	BAUSLX2	470433	B
65	110	10	AS	smooth	0,05	72 NBR902	BAUSLX2	522256	B
65	120	10	A	grooved	0,05	72 NBR902	BAUX27	450736	B
65	120	10	AS	grooved	0,05	72 NBR902	BAUSLX27	450737	B
65	120	10	AS	smooth	0,05	72 NBR902	BAUSLX2	49037439	B
65	120	10	A	smooth	0,05	72 NBR902	BAUX2	49037440	B
65	120	12	AS	smooth	0,05	72 NBR902	BAUSLX2	455634	B
65	140	12	AS	smooth	0,05	72 NBR902	BAUSLX2	455636	B
65	140	12	A	smooth	0,05	72 NBR902	BAUX2	475367	B
67	90	10	A	smooth	0,05	72 NBR902	BAUSL	464665	D
68	85	10	A	grooved	0,02	72 NBR902	BAFUDX7	411221	B
68	87	8	AS	smooth	0,02	72 NBR902	BAFUDSL	12011197	B
68	90	10	A	smooth	0,05	72 NBR902	BAUSL	9060	B
68	90	10	A	grooved	0,02	72 NBR902	BAFUDX7	355406	B
68	100	10	A	smooth	0,05	72 NBR902	BA	9062	B
69	90	10	A	smooth	0,05	72 NBR902	BAU	9066	B
70	85	7	A	grooved	0,02	72 NBR902	BAFUDX7	355485	B
70	85	8	A	grooved	0,02	72 NBR902	BAFUDX7	334851	B
70	85	8	AS	smooth	0,05	72 NBR902	BAUSLX2	524145	B
70	90	10	A	smooth	0,05	72 NBR902	BAU	9095	B
70	90	10	A	grooved	0,02	72 NBR902	BAFUDX7	355432	B
70	90	10	AS	grooved	0,05	72 NBR902	BAUSLX7	376900	D
70	90	10	AS	smooth	0,05	72 NBR902	BAUSLX2	524198	B
70	90	12	AS	smooth	0,05	72 NBR902	BAUSLX2	455638	B
70	90	12	A	smooth	0,05	72 NBR902	BAUX2	520465	B
70	90	13	A	smooth	0,05	72 NBR902	BAU	9101	B
70	90	13	A	smooth	0,05	72 NBR902	BAUSL	9102	B
70	95	10	A	smooth	0,05	72 NBR902	BAU	9106	B
70	95	10	A	smooth	0,05	72 NBR902	BAU	523551	D
70	95	13	A	smooth	0,05	72 NBR902	BAU	9108	B
70	100	6	A	smooth	0,05	72 NBR902	BA	9110	B
70	100	10	A	grooved	0,02	72 NBR902	BAFUDX7	334325	B
70	100	10	A	smooth	0,05	72 NBR902	BAU	340877	D
70	100	10	AS	smooth	0,05	72 NBR902	BAUSLX2	522359	B
70	100	10	A	smooth	0,05	72 NBR902	BAU	523842	D
70	100	12	A	smooth	0,02	72 NBR902	BAFUD	523564	B
70	100	13	A	smooth	0,05	72 NBR902	BAU	9122	B
70	110	8	A	smooth	0,05	72 NBR902	BAU	9128	B
70	110	8	A	smooth	0,05	72 NBR902	BAUX2	49033018	B
70	110	10	AS	grooved	0,05	72 NBR902	BAUSLX7	377886	B

B Available from stock D On request: Tool is available, delivery at short notice

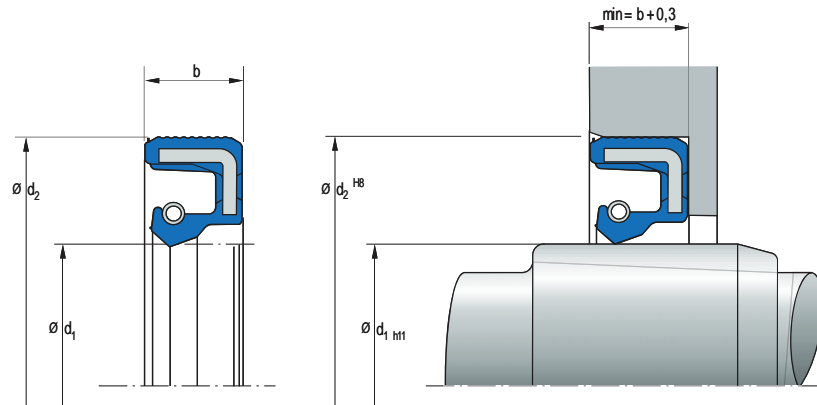


d_1	d_2	b	DIN 3761	Outer surface	Pressure	Material	Type	Article No.	
70	110	12	AS	smooth	0,05	72 NBR902	BAUSLX2	455641	B
70	110	13	A	smooth	0,05	72 NBR902	BAU	9130	B
70	110	13	AS	grooved	0,02	72 NBR902	BAFUDSLX7	407536	B
70	115	16	A	smooth	0,05	72 NBR902	BA	306770	B
70	120	10	AS	grooved	0,02	72 NBR902	BAFUDSLX7	452953	B
70	125	12	AS	smooth	0,05	72 NBR902	BAUSLX2	49011092	B
70	125	12	A	smooth	0,05	72 NBR902	BAUX2	49011093	B
70	130	10	AS	smooth	0,05	72 NBR902	BAUSLX2	479457	B
70	130	10	A	smooth	0,05	72 NBR902	BAUX2	479458	B
70	130	12	AS	smooth	0,05	72 NBR902	BAUSLX2	477908	B
72	90	10	A	smooth	0,05	72 NBR902	BA	9137	B
72	90	10	A	smooth	0,05	72 NBR902	BAUX2	49025290	B
72	95	10	A	grooved	0,02	72 NBR902	BAFUDX7	366669	B
72	95	10	AS	grooved	0,02	72 NBR902	BAFUDSLX7	437162	B
72	95	12	AS	smooth	0,05	72 NBR902	BAUSLX2	470366	B
72	100	10	A	smooth	0,05	72 NBR902	BAU	9142	B
72	100	10	A	smooth	0,05	72 NBR902	BAU	523565	D
72	100	12	A	grooved	0,02	72 NBR902	BAFUDX7	520460	B
72	130	12	AS	smooth	0,05	72 NBR902	BAUSLX2	523524	B
72	140	12	AS	smooth	0,05	72 NBR902	BAUSLX2	470349	B
74	90	10	A	smooth	0,05	72 NBR902	BA	9149	B
74	95	10	A	grooved	0,02	72 NBR902	BAFUDX7	334852	B
75	90	8	A	smooth	0,05	72 NBR902	BAU	9157	B
75	90	8	A	smooth	0,05	72 NBR902	BAUX2	49024277	B
75	95	9	AS	smooth	0,05	72 NBR902	BASL	61875	B
75	95	9	AS	smooth	0,02	72 NBR902	BAFUDSL	417887	B
75	95	10	AS	smooth	0,02	72 NBR902	BAFUDSL	12011201	B
75	95	10	A	smooth	0,05	72 NBR902	BAUX2	49017472	B
75	95	12	A	smooth	0,05	72 NBR902	BAU	9172	B
75	95	12	AS	smooth	0,05	72 NBR902	BAUSLX2	524699	B
75	100	10	AS	smooth	0,05	72 NBR902	BAUSLX2	524653	B
75	100	10	A	smooth	0,05	72 NBR902	BAUX2	525285	B
75	100	12	AS	grooved	0,02	72 NBR902	BAFUDSLX7	334855	B
75	100	13	A	smooth	0,05	72 NBR902	BAU	9189	B
75	105	12	A	smooth	0,02	72 NBR902	BAFUD	12011023	B
75	110	12	A	smooth	0,02	72 NBR902	BAFUD	12011024	B

B Available from stock D On request: Tool is available, delivery at short notice

d ₁	d ₂	b	DIN 3761	Outer surface	Pressure	Material	Type	Article No.	
75	110	13	AS	smooth	0,02	72 NBR902	BAFUDSL	12000542	B
75	115	12	AS	smooth	0,05	72 NBR902	BAUSLX2	475360	B
75	120	12	A	grooved	0,05	72 NBR902	BAUX27	450738	B
75	120	12	AS	grooved	0,05	72 NBR902	BAUSLX27	451194	B
75	130	10	AS	smooth	0,05	72 NBR902	BAUSLX2	477279	B
75	130	12	AS	smooth	0,05	72 NBR902	BAUSLX2	455643	B
76	100	10	A	smooth	0,05	72 NBR902	BAU	9198	B
78	100	10	A	smooth	0,05	72 NBR902	BAU	9204	B
80	100	10	A	smooth	0,05	72 NBR902	BAU	9216	D
80	100	10	AS	smooth	0,05	72 NBR902	BAUSLX2	524139	B
80	100	10	A	smooth	0,02	72 NBR902	BAFUD	532626	B
80	100	12	AS	smooth	0,05	72 NBR902	BAUSLX2	470439	B
80	100	13	A	smooth	0,05	72 NBR902	BAU	9221	B
80	100	13	AS	smooth	0,02	72 NBR902	BAFUDSL	12011204	B
80	105	13	A	grooved	0,02	72 NBR902	BAFUDX7	334326	B
80	105	13	A	smooth	0,05	72 NBR902	BAU	523566	D
80	110	8	A	smooth	0,05	72 NBR902	BAUX2	524780	B
80	110	10	AS	smooth	0,05	72 NBR902	BAUSLX2	524503	B
80	110	10	A	smooth	0,05	72 NBR902	BAUX2	49033031	B
80	110	12	A	smooth	0,02	72 NBR902	BAFUD	12011030	B
80	110	13	A	smooth	0,02	72 NBR902	BAFUD	12011031	B
80	115	10	A	smooth	0,05	72 NBR902	BA	9234	B
80	120	13	A	smooth	0,02	72 NBR902	BAFUD	12011033	B
80	125	12	AS	smooth	0,05	72 NBR902	BAUSLX2	470441	B
80	125	13	A	grooved	0,05	72 NBR902	BAUX27	453163	B
80	140	13	AS	grooved	0,05	72 NBR902	BAUSLX27	453165	B
80	140	13	A	grooved	0,05	72 NBR902	BAUX27	453166	B
80	140	13	A	smooth	0,05	72 NBR902	BAUX2	49037441	B
80	140	13	AS	smooth	0,05	72 NBR902	BAUSLX2	49037452	B
80	150	15	AS	smooth	0,05	72 NBR902	BAUSLX2	520449	B
80	170	13	AS	smooth	0,05	72 NBR902	BAUSLX2	434902	B
82	105	10	AS	smooth	0,05	72 NBR902	BASL	9242	B
82	105	10	AS	smooth	0,05	72 NBR902	BAUSLX2	529148	B
82	105	12	A	smooth	0,05	72 NBR902	BAU	9244	B
82	120	13	AS	smooth	0,05	72 NBR902	BAUSLX2	470376	B
82	160	13	AS	smooth	0,05	72 NBR902	BAUSLX2	470381	B
85	100	9	A	smooth	0,05	72 NBR902	BA	24569	B
85	100	9	AS	grooved	0,05	72 NBR902	BAUSLX27	533028	B
85	105	13	A	grooved	0,02	72 NBR902	BAFUDX7	335194	B
85	105	13	A	smooth	0,05	72 NBR902	BAU	354468	D
85	110	12	AS	smooth	0,05	72 NBR902	BAUSLX2	455645	B
85	110	12	A	smooth	0,05	72 NBR902	BAUX2	526074	B
85	110	13	A	grooved	0,02	72 NBR902	BAFUDX7	335159	B
85	115	13	A	smooth	0,02	72 NBR902	BAFUD	12011037	B
85	120	12	A	smooth	0,05	72 NBR902	BA	14070	B
85	125	10	AS	smooth	0,05	72 NBR902	BAUSLX2	522358	B
85	130	10	AS	grooved	0,05	72 NBR902	BAUSLX27	49002843	B
85	130	10	A	smooth	0,05	72 NBR902	BAUX2	49005998	B
85	130	12	A	smooth	0,05	72 NBR902	BAU	394923	B
85	140	12	A	grooved	0,02	72 NBR902	BAUX7	369435	B

B Available from stock D On request: Tool is available, delivery at short notice

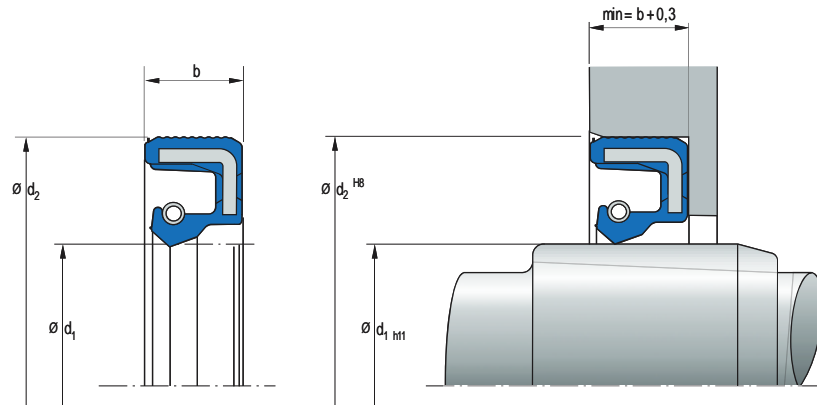


d_1	d_2	b	DIN 3761	Outer surface	Pressure	Material	Type	Article No.	
85	140	12	AS	grooved	0,05	72 NBR902	BAUSLX7	369448	B
85	140	12	AS	smooth	0,05	72 NBR902	BAUSLX2	455648	B
85	150	12	AS	smooth	0,05	72 NBR902	BAUSLX2	477583	B
85	150	12	A	smooth	0,05	72 NBR902	BAUX2	49006054	B
86	105	13	A	smooth	0,05	72 NBR902	BA	9273	B
86	110	13	A	smooth	0,05	72 NBR902	BA	9275	B
88	110	10	A	smooth	0,05	72 NBR902	BA	9279	B
88	160	13	AS	smooth	0,05	72 NBR902	BAUSLX2	475363	B
90	110	8	A	grooved	0,02	72 NBR902	BAFUDX7	338992	B
90	110	10	A	smooth	0,05	72 NBR902	BAU	327928	B
90	110	10	A	smooth	0,05	72 NBR902	BAUSL	452252	B
90	110	12	A	grooved	0,02	72 NBR902	BAFUDX7	334762	B
90	110	12	A	smooth	0,05	72 NBR902	BAUSL	371060	B
90	110	13	A	smooth	0,05	72 NBR902	BAU	9287	B
90	110	13	AS	smooth	0,05	72 NBR902	BAUSLX2	49011512	B
90	115	12	A	smooth	0,05	72 NBR902	BAU	313552	B
90	120	12	A	grooved	0,02	72 NBR902	BAFUDX7	335160	B
90	120	13	A	smooth	0,05	72 NBR902	BAU	9294	B
90	120	13	AS	grooved	0,02	72 NBR902	BAFUDSLX7	339432	B
90	130	13	A	smooth	0,05	72 NBR902	BA	9301	B
90	140	13	A	smooth	0,05	72 NBR902	BA	28763	B
90	140	13	AS	smooth	0,05	72 NBR902	BAUSLX2	522420	B
90	140	13	A	smooth	0,05	72 NBR902	BAUX2	49037535	B
92	120	12	A	smooth	0,05	72 NBR902	BA	9303	B
95	115	13	AS	smooth	0,05	72 NBR902	BASL	346567	D
95	115	13	AS	smooth	0,05	72 NBR902	BAUSLX2	524194	B
95	120	12	A	grooved	0,02	72 NBR902	BAFUDX7	355407	B
95	120	12	A	smooth	0,05	72 NBR902	BAUX2	529408	D
95	120	12	AS	smooth	0,02	72 NBR902	BAFUDSL	12011207	B
95	120	12	A	smooth	0,05	72 NBR902	BAUX2	49035730	B
95	120	13	A	smooth	0,05	72 NBR902	BA	9310	B
95	125	12	A	smooth	0,05	72 NBR902	BA	3450	B
95	125	12	AS	grooved	0,02	72 NBR902	BAFUDSLX7	335174	B
95	125	13	AS	smooth	0,05	72 NBR902	BAUSLX2	455650	B
95	125	13	A	smooth	0,05	72 NBR902	BAUX2	49037536	B
95	145	13	AS	grooved	0,05	72 NBR902	BAUSLX27	451051	B

B Available from stock D On request: Tool is available, delivery at short notice

d ₁	d ₂	b	DIN 3761	Outer surface	Pressure	Material	Type	Article No.	
95	145	13	A	grooved	0,05	72 NBR902	BAUX27	451052	B
95	145	13	AS	smooth	0,05	72 NBR902	BAUSLX2	470443	B
95	170	13	AS	smooth	0,05	72 NBR902	BAUSLX2	455653	D
98	125	12	A	smooth	0,05	72 NBR902	BA	9319	B
98	125	12	AS	smooth	0,05	72 NBR902	BASL	18962	B
100	120	10	A	smooth	0,05	72 NBR902	BAUX2	9323	B
100	120	12	A	smooth	0,05	72 NBR902	BAU	9327	D
100	120	12	AS	grooved	0,02	72 NBR902	BAFUDSLX7	334231	B
100	120	12	A	grooved	0,02	72 NBR902	BAFUDX7	335175	B
100	125	12	A	grooved	0,02	72 NBR902	BAFUDX7	355481	B
100	125	13	A	smooth	0,05	72 NBR902	BA	9338	B
100	125	13	AS	grooved	0,02	72 NBR902	BAFUDSLX7	334856	B
100	130	10	A	smooth	0,05	72 NBR902	BA	9341	B
100	130	12	A	smooth	0,05	72 NBR902	BA	8079	B
100	130	12	A	grooved	0,02	72 NBR902	BAFUDX7	369826	B
100	130	12	AS	smooth	0,05	72 NBR902	BAUSLX2	526078	B
100	130	13	AS	smooth	0,05	72 NBR902	BAUSLX2	478549	B
100	135	13	A	smooth	0,05	72 NBR902	BAU	340026	B
100	145	12	AS	smooth	0,05	72 NBR902	BAUSLX2	522357	B
100	150	12	A	smooth	0,05	72 NBR902	BA	9345	B
100	160	14	AS	grooved	0,05	72 NBR902	BAUSLX27	451670	B
100	160	14	A	grooved	0,05	72 NBR902	BAUX27	453167	B
100	180	12	A	grooved	0,05	72 NBR902	BAUX27	450739	B
100	180	12	AS	grooved	0,05	72 NBR902	BAUSLX27	450740	B
100	180	12	AS	smooth	0,05	72 NBR902	BAUSLX2	49037437	B
100	180	12	A	smooth	0,05	72 NBR902	BAUX2	49037438	B
100	190	15	AS	smooth	0,05	72 NBR902	BAUSLX2	520451	B
104	125	10	A	smooth	0,05	72 NBR902	BA	9355	B
105	130	8	AS	smooth	0,05	72 NBR902	BAUSLX2	524146	B
105	130	12	A	smooth	0,05	72 NBR902	BAU	9361	B
105	130	12	AS	grooved	0,02	72 NBR902	BAFUDSLX7	335177	B
105	140	12	A	smooth	0,05	72 NBR902	BA	2771	B
105	140	12	AS	smooth	0,05	72 NBR902	BAUSLX2	524505	B
105	160	12	AS	smooth	0,05	72 NBR902	BAUSLX2	475362	B
105	190	12	AS	smooth	0,05	72 NBR902	BAUSLX2	522306	B
108	140	15	AS	smooth	0,05	72 NBR902	BAUSLX2	470435	B
108	170	15	AS	smooth	0,05	72 NBR902	BAUSLX2	470383	B
109,4	160	8	AS	grooved	0,05	72 NBR902	BASLX7	396236	D
110	130	8	AS	grooved	0,05	72 NBR902	BAUSLX7	49033417	D
110	130	12	A	smooth	0,05	72 NBR902	BAUSL	126037	B
110	130	12	A	grooved	0,02	72 NBR902	BAFUDX7	355424	B
110	140	12	AS	smooth	0,05	72 NBR902	BASL	9373	B
110	140	12	A	smooth	0,05	72 NBR902	BAU	14103	B
110	140	13	A	smooth	0,05	72 NBR902	BAUSL	9380	B
110	140	13	A	smooth	0,05	72 NBR902	BA	9381	B
110	150	12	A	grooved	0,02	72 NBR902	BAFUDX7	474182	B
110	170	15	AS	smooth	0,05	72 NBR902	BAUSLX2	520450	B
110	200	13	AS	grooved	0,05	72 NBR902	BAUSLX27	451053	B
110	200	13	A	grooved	0,05	72 NBR902	BAUX27	451054	B
110	215	15	AS	smooth	0,05	72 NBR902	BAUSLX2	520453	B

B Available from stock D On request: Tool is available, delivery at short notice

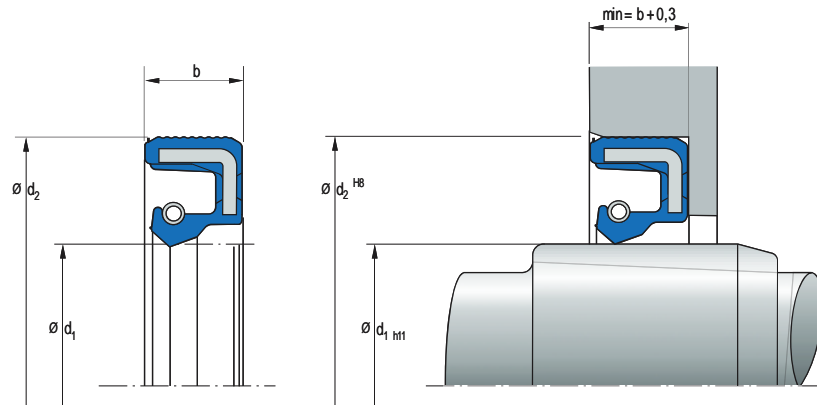


d_1	d_2	b	DIN 3761	Outer surface	Pressure	Material	Type	Article No.	
112	140	13	A	smooth	0,05	72 NBR902	BAU	9395	B
115	140	12	AS	grooved	0,02	72 NBR902	BAFUDSLX7	334501	B
115	140	12	A	smooth	0,05	72 NBR902	BAUSL	335212	D
115	140	12	A	grooved	0,02	72 NBR902	BAFUDX7	355480	B
115	140	12	AS	grooved	0,05	72 NBR902	BAUSLX7	401314	D
115	150	12	A	smooth	0,05	72 NBR902	BA	2605	B
115	170	12	AS	smooth	0,05	72 NBR902	BAUSLX2	522356	B
115	215	12	AS	smooth	0,05	72 NBR902	BAUSLX2	522309	B
118	150	12	AS	smooth	0,05	72 NBR902	BAUSLX2	457498	B
118	150	12	A	smooth	0,05	72 NBR902	BAUX2	462756	B
120	140	12	A	smooth	0,05	72 NBR902	BAU	411088	B
120	140	12	A	smooth	0,05	72 NBR902	BAUSL	49030924	B
120	140	13	AS	smooth	0,05	72 NBR902	BAUSLX2	524147	B
120	140	13	A	smooth	0,05	72 NBR902	BAUX2	49037537	B
120	150	12	A	smooth	0,05	72 NBR902	BAU	9413	D
120	150	12	AS	smooth	0,05	72 NBR902	BAUSLX2	526963	B
120	150	12	A	smooth	0,05	72 NBR902	BAUX2	49017408	B
120	150	13	A	smooth	0,05	72 NBR902	BA	31371	B
120	150	13	AS	smooth	0,05	72 NBR902	BASL	418990	B
120	150	15	AS	smooth	0,05	72 NBR902	BAUSLX2	470447	B
120	160	12	A	smooth	0,05	72 NBR902	BA	14120	B
120	180	12	AS	smooth	0,05	72 NBR902	BAUSLX2	49043674	B
120	180	12	A	smooth	0,05	72 NBR902	BAUX2	49043675	B
120	180	15	AS	smooth	0,05	72 NBR902	BAUSLX2	470451	B
120	180	15	A	smooth	0,05	72 NBR902	BAUX2	49031233	D
120	200	14	AS	grooved	0,05	72 NBR902	BAUSLX27	451037	B
120	200	14	A	grooved	0,05	72 NBR902	BAUX27	453168	B
122	150	15	AS	smooth	0,05	72 NBR902	BASL	9427	B
122	200	15	AS	smooth	0,05	72 NBR902	BAUSLX2	475364	B
125	150	12	AS	grooved	0,02	72 NBR902	BAFUDSLX7	334229	B
125	150	12	A	grooved	0,02	72 NBR902	BAFUDX7	335125	B
125	150	13	A	smooth	0,05	72 NBR902	BA	9440	B
125	160	12	A	smooth	0,05	72 NBR902	BA	14142	B
125	160	15	AS	smooth	0,05	72 NBR902	BAUSLX2	470445	B
125	180	12	AS	smooth	0,05	72 NBR902	BAUSLX2	522355	B
125	200	15	AS	smooth	0,05	72 NBR902	BAUSLX2	470425	B

B Available from stock D On request: Tool is available, delivery at short notice

d ₁	d ₂	b	DIN 3761	Outer surface	Pressure	Material	Type	Article No.	
128	150	13	A	smooth	0,05	72 NBR902	BAU	9452	B
130	160	12	A	grooved	0,02	72 NBR902	BAFUDX7	364316	B
130	160	12	AS	smooth	0,05	72 NBR902	BAUSLX2	49030495	B
130	160	13	A	grooved	0,02	72 NBR902	BAFUDX7	335201	B
130	160	14	A	smooth	0,05	72 NBR902	BAU	376145	B
130	160	15	A	smooth	0,05	72 NBR902	BAUSL	9463	B
130	170	12	A	smooth	0,05	72 NBR902	BA	14143	B
130	170	12	AS	smooth	0,02	72 NBR902	BAFUDSL	12013366	B
130	170	15	AS	smooth	0,05	72 NBR902	BAUSLX2	524696	B
130	200	15	AS	smooth	0,05	72 NBR902	BAUSLX2	475361	B
130	215	15	AS	smooth	0,05	72 NBR902	BAUSLX2	520454	B
130	230	14	AS	grooved	0,05	72 NBR902	BAUSLX27	451056	B
130	230	14	A	grooved	0,05	72 NBR902	BAUX27	451058	B
135	160	12	A	smooth	0,02	72 NBR902	BAFUD	12011085	B
135	170	12	A	grooved	0,02	72 NBR902	BAFUDX7	335202	B
135	170	12	AS	smooth	0,05	72 NBR902	BAUSLX2	478571	B
135	170	12	A	smooth	0,05	72 NBR902	BAUX2	478573	B
135	215	12	AS	smooth	0,05	72 NBR902	BAUSLX2	522312	B
140	165	12	A	smooth	0,05	72 NBR902	BA	9475	B
140	170	12	AS	smooth	0,02	72 NBR902	BAFUDSL	12014961	B
140	170	13	A	smooth	0,05	72 NBR902	BAU	9484	B
140	170	15	A	smooth	0,05	72 NBR902	BA	5743	B
140	170	15	AS	smooth	0,05	72 NBR902	BASL	9491	B
140	170	15	A	smooth	0,05	72 NBR902	BA	9493	B
140	170	15	A	smooth	0,05	72 NBR902	BAUX2	478568	D
140	170	15	AS	smooth	0,05	72 NBR902	BAUSLX2	49011061	B
140	180	12	A	smooth	0,02	72 NBR902	BAFUD	12011089	B
140	180	12	A	smooth	0,05	72 NBR902	BAUX2	49037538	B
140	230	15	AS	grooved	0,05	72 NBR902	BAUSLX27	451930	B
140	230	15	A	grooved	0,05	72 NBR902	BAUX27	532980	B
140	250	15	A	grooved	0,05	72 NBR902	BAUX27	467792	B
140	250	15	AS	grooved	0,05	72 NBR902	BAUSLX27	467868	B
145	170	13	AS	smooth	0,05	72 NBR902	BAUSLX2	49016145	B
145	170	15	A	smooth	0,05	72 NBR902	BAU	106590	D
145	175	15	A	smooth	0,05	72 NBR902	BA	14163	B
145	180	13	AS	smooth	0,02	72 NBR902	BAFUDSL	12011214	B
145	190	17	AS	smooth	0,05	72 NBR902	BAUSLX2	470449	B
145	230	17	AS	smooth	0,05	72 NBR902	BAUSLX2	470427	B
148	170	15	A	smooth	0,05	72 NBR902	BA	9501	B
150	180	13	A	smooth	0,05	72 NBR902	BA	9505	B
150	180	15	A	smooth	0,05	72 NBR902	BAU	49010296	B
150	180	15	AS	smooth	0,05	72 NBR902	BAUSLX2	49010594	B
150	225	15	AS	smooth	0,05	72 NBR902	BAUSLX2	475365	B
155	174	12	A	smooth	0,05	72 NBR902	BA	9518	B
155	180	15	AS	smooth	0,05	72 NBR902	BAUSLX2	478569	B
155	180	15	A	smooth	0,05	72 NBR902	BAUX2	478570	B
155	190	13	AS	smooth	0,05	72 NBR902	BAUSLX2	478579	B
155	190	13	A	smooth	0,05	72 NBR902	BAUX2	478580	B
155	225	12	AS	smooth	0,05	72 NBR902	BAUSLX2	522354	B
160	185	10	A	smooth	0,05	72 NBR902	BA	36952	B

B Available from stock D On request: Tool is available, delivery at short notice



d_1	d_2	b	DIN 3761	Outer surface	Pressure	Material	Type	Article No.	
160	185	14	A	smooth	0,05	72 NBR902	BAU	331905	B
160	190	15	A	smooth	0,05	72 NBR902	BAU	2627	B
160	190	15	AS	smooth	0,05	72 NBR902	BASL	122255	B
160	190	15	A	smooth	0,05	72 NBR902	BAU	323701	D
160	190	15	AS	smooth	0,05	72 NBR902	BAUSLX2	49030496	B
160	240	14	AS	smooth	0,05	72 NBR902	BAUSLX2	475366	B
160	290	18	AS	grooved	0,05	72 NBR902	BAUSLX27	452148	B
160	290	18	A	grooved	0,05	72 NBR902	BAUX27	452149	B
162	190	12	AS	smooth	0,05	72 NBR902	BAUSLX2	478561	B
162	190	12	A	smooth	0,05	72 NBR902	BAUX2	478563	B
165	190	13	A	smooth	0,05	72 NBR902	BA	9529	B
170	200	15	A	smooth	0,05	72 NBR902	BA	31453	B
170	200	15	AS	grooved	0,02	72 NBR902	BAFUDSLX7	364313	B
174	190	5	A	smooth	0,05	72 NBR902	BAUSL	406551	D
175	200	15	A	smooth	0,05	72 NBR902	BAU	526213	B
175	205	15	A	smooth	0,05	72 NBR902	BA	9550	B
180	210	15	A	grooved	0,02	72 NBR902	BAFUDX27	346139	B
185	210	13	A	grooved	0,02	72 NBR902	BAFUDX27	334281	B
190	220	12	A	smooth	0,05	72 NBR902	BAUSL	9561	B
190	220	15	A	smooth	0,05	72 NBR902	BAU	11458	D
190	220	15	A	grooved	0,02	72 NBR902	BAFUDX27	334745	B
190	225	16	AS	smooth	0,05	72 NBR902	BAUSLX2	478703	B
190	225	16	A	smooth	0,05	72 NBR902	BAUX2	478704	B
200	230	15	A	smooth	0,05	72 NBR902	BA	31464	B
200	230	15	A	smooth	0,05	72 NBR902	BAUSL	349992	B
210	240	15	A	smooth	0,05	72 NBR902	BA	2546	B
215	240	12	A	smooth	0,05	72 NBR902	BAUX2	9577	B
215	250	16	A	smooth	0,05	72 NBR902	BAU	9580	B
220	250	15	AS	grooved	0,05	72 NBR902	BAUSLX7	49027671	B
220	250	15	A	grooved	0,02	72 NBR902	BAUX7	49027702	B
230	255	15	A	smooth	0,05	72 NBR902	BAUX2	49020472	B
230	260	15	A	smooth	0,05	72 NBR902	BA	14221	B
230	260	15	AS	smooth	0,05	72 NBR902	BASL	28250	B
240	270	15	A	smooth	0,05	72 NBR902	BAU	9592	B
240	270	15	AS	smooth	0,05	72 NBR902	BAUSLX2	478705	B
240	270	15	A	smooth	0,05	72 NBR902	BAUX2	478706	D

B Available from stock D On request: Tool is available, delivery at short notice

d ₁	d ₂	b	DIN 3761	Outer surface	Pressure	Material	Type	Article No.	
250	280	15	A	smooth	0,05	72 NBR902	BA	38350	B
250	280	15	AS	smooth	0,05	72 NBR902	BAUSLX2	478708	B
255	290	12	A	smooth	0,05	72 NBR902	BAU	303665	B
285	325	16	A	smooth	0,05	72 NBR902	BA	9600	B
300	340	16	A	smooth	0,05	72 NBR902	BA	9603	B
300	340	16	AS	grooved	0,05	72 NBR902	BAUSLX7	346539	B
335	375	18	A	smooth	0,05	72 NBR902	BA	9608	B
394	420	16	A	smooth	0,05	72 NBR902	BA	9611	B
394	420	16	AS	smooth	0,05	72 NBR902	BASL	528215	B
400	425	15	A	smooth	0,05	72 NBR902	BA	355085	B
400	450	20	A	smooth	0,05	72 NBR902	BA	10569	B
480	520	20	A	smooth	0,05	72 NBR902	BA	10579	B
500	550	20	A	smooth	0,05	80 NBR709	BAU	10580	B
560	610	20	A	smooth	0,05	80 NBR709	BA	10582	B
600	640	20	A	smooth	0,05	72 NBR902	BA	307130	B

B Available from stock D On request: Tool is available, delivery at short notice

